



## Technical Data

# Surge Protection Device (SPD)

## FP T1-440-25

Class 1+2

Surge Protection Device Class 1+2

UC=440V, Iimp=25kA, Up=2,5kV

Location of use : Main Distribution Boards

Network Systems : TN-S, IT/TN-C, IT

Mode of protection : L-PEN/N-PE

Class : Class 1+2

Compliance : IEC 61643-11:2011

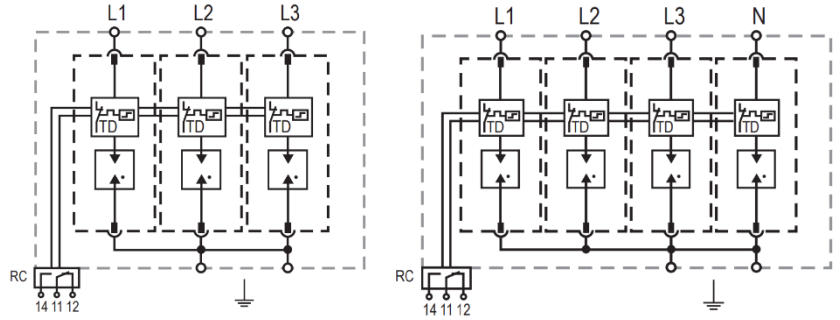
EN 61643-11:2012+A11:2018

Reference		24138	24139
Name		FP T1-440-25-3	FP T1-440-25-4
Surge protector type		Three-phase	Three-phase+N
Nominal AC voltage (50/60Hz)	$U_o/U_n$		400V
Maximum continuous operating voltage	$U_c$		440V
Nominal discharge current (8/20 $\mu$ s)	(L-N)/(N-PE) $I_n$		25kA
Maximum discharge current (8/20 $\mu$ s)	(L-N)/(N-PE) $I_{max}$		50kA
Impulse discharge current (10/350 $\mu$ s)	(L-N)/(N-PE) $I_{imp}$		25kA
Specific energy	(L-N)/(N-PE) $W/R$		156.2 kJ / $\Omega$
Charge	(L-N)/(N-PE) $Q$		12.5As
Voltage protection level	(L-N)/(N-PE) $U_p$		2500V
Follow current interrupt rating (AC)	(N-PE) $I_{fi}$		50kA / 100kA
Response time	(L-N)/(N-PE) $t_A$		< 100ns
Overcurrent protection (max)			315A gG / 250A gG
Fuse rating recommended			125A
	$I_{imp}$		25 kA
Short-circuit current rating (AC)	(L-N) $I_{SCCR}$		50kA / 100kA
Tov 120min	(L-N) $U_T$		762V
	Mode		Safe Fail
Tov safe fail 200ms	(N-PE) $U_T$		1640V
Operating temperature range	$T_a$		-40 °C to +85 °C
Permissible operating humidity	RH		5%...95%
Terminal screw torque	$M_{max}$		4.5Nm
Conductor cross section (max)			2 AWG (solid, stranded) / 4 AWG (flexible) 35mm <sup>2</sup> (solid, stranded) / 25mm <sup>2</sup> (flexible)
Mounting			35mm DIN rail, EN 60715
Degree of protection			IP 20 (built-in)
Housing material			Thermoplastic: extinguishing degree UL 94 V-0
Thermal protection			Yes
Operating state / fault indication			Green/ Red
Remote contacts (RC)			Optional
RC switching capacity			AC: 250V/1A,125V/1A; DC: 48V/0.5A, 24V/0.5A, 12V/0.5A
RC conductor cross section (max)			16 AWG (solid) / 1.5mm <sup>2</sup> (solid)

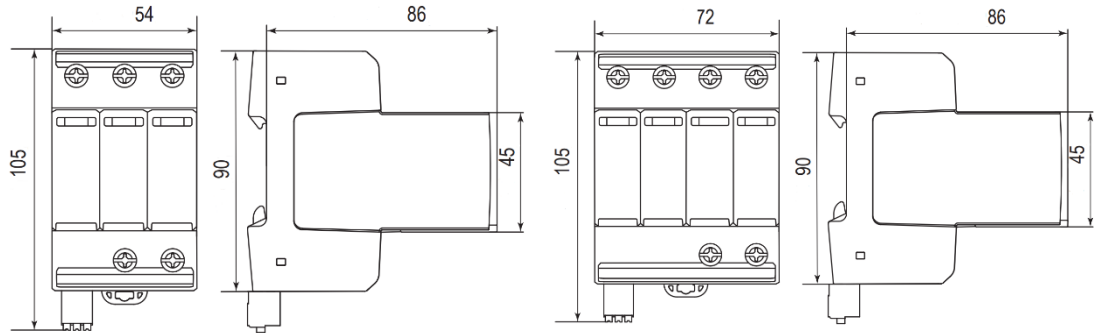
## Internal Configuration

### Legend

L	Line Conductor Terminal
N	Neutral Conductor Terminal
⏏	PE Conductor Terminal
RC	Remote Contacts Terminal (Optional)
TD	Thermal Disconnecter



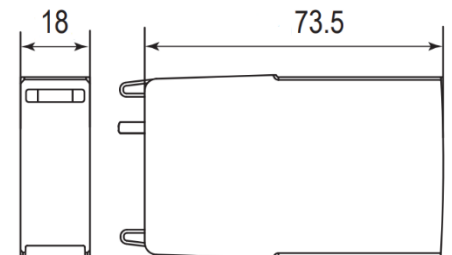
## Dimensions & Packaging



Reference	24138	24139
Name	FP T1-440-25-3	FP T1-440-25-4
Weight	514 g	692 g
Number of modules	3	4
Packaging dimensions	109 × 115 × 352 mm	

## Spare Plug

Reference	24135
Name	T1-440-25
Type	Phase/Neutral
Weight	110 g
Number of modules	1
Packaging dimensions	109 × 115 × 352 mm



## Circuit Breaker

Reference	24138	24139
Name	FP T1-440-25-3	FP T1-440-25-4
Circuit Breaker Reference	20021	20022
Fuse Reference	80367	

