



Surge Protection Device (SPD)

FP T1NF-305-100-1

Class 1+2

Surge Protection Device Class 1+2 Plug-in neutral conductor with integrated fuse $U_c=305V$, $I_n=100kA$, $U_p=1500V$

Technical Data

Location of use : Main Distribution Boards
 Network Systems : TT, TN-S
 Mode of protection : N-PE
 Class : Class 1+2
 Compliance : IEC 61643-11:2011
 EN 61643-11:2012 +A11:2018

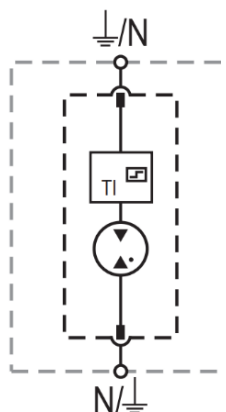


Reference	24191		
Name	FP T1NF-305-100-1		
Surge protector type	Single Phase		
Maximum continuous operating voltage	(L-N)/(N-PE) U_c	305V	
Nominal discharge current (8/20 μ s)	(L-N)/(N-PE) I_n	100kA	
Maximum discharge current (8/20 μ s)	(L-N)/(N-PE) I_{max}	150kA	
Impulse discharge current (10/350 μ s)	(L-N)/(N-PE) I_{imp}	100kA	
Specific energy	(L-N)/(N-PE) W/R	2500 kJ / Ω	
Charge	(L-N)/(N-PE) Q	50As	
Voltage protection level	(L-N)/(N-PE) U_p	1500V	
Follow current interrupt rating (AC)	(N-PE) I_{fi}	100A	
Response time	(L-N)/(N-PE) t_A	< 100ns	
Fuse rating	Not required		
TOV withstand 200ms	U_T	1200V	
Operating temperature range	T_a	-40 °C to +85 °C	
Permissible operating humidity	RH	5%...95%	
Terminal screw torque	M_{max}	4.5Nm	
Conductor cross section (max)	6AWG (solid, stranded) per UL 1449 35mm ² (solid, stranded) / 25 mm ² (flexible)		
Mounting	35 mm DIN rail, EN 60715		
Degree of protection	IP 20 (built-in)		
Housing material	Thermoplastic: extinguishing degree UL 94 V-0		
Thermal protection	Yes		
Operating state / fault indication	Green / Red		

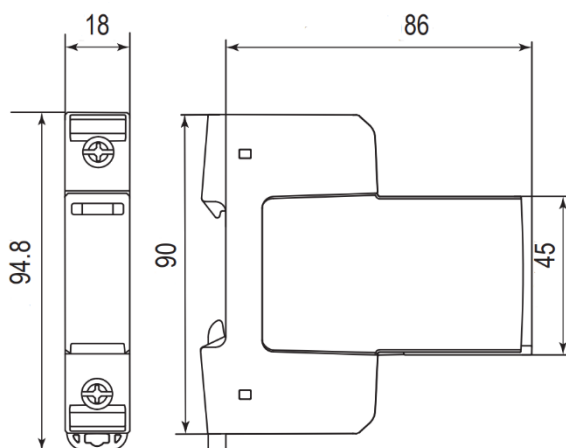
Internal Configuration

Legend

N	Neutral Conductor Terminal
⏏	PE Conductor Terminal
TI	Thermal Indication



Dimension & Packaging



Complete Unit

Weight	197 g
Number of modules	1
Packaging dimensions	109 × 115 × 352 mm

Spare Plug

Référence	24190
Name	T1NF-305-100
Type	Neutral
Weight	114 g
Number of modules	1
Packaging dimensions	109 × 115 × 352 mm

