



Surge Protection Device (SPD)

FP T2F-300-20

Class 2+3

Surge Protection Device Class 2+3

Uc=300V, In 20kA, Up=1.5kV

Location of use : Sub-Distribution Boards
 Network Systems : TT, TN-S/TN-C, IT
 Mode of protection : L-N, N-PE/L-PEN
 Class : Class 2+3
 Compliance : IEC 61643-11:2011
 EN 61643-11:2012+A11:2018



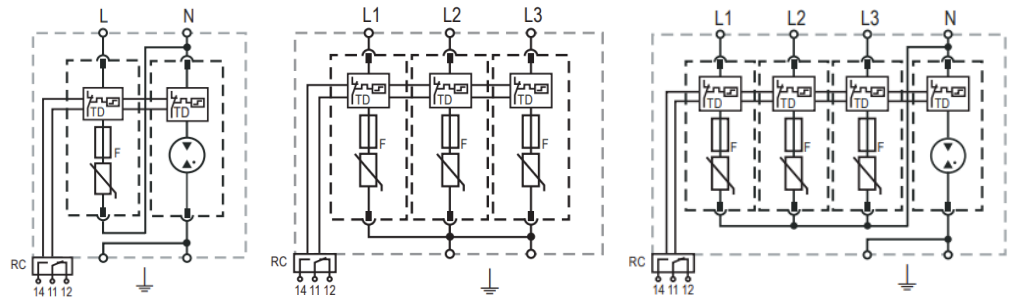
Technical Data

Reference		24242	24243	24244
Name		FP T2F-300-20-2	FP T2F-300-20-3	FP T2F-300-20-4
Surge protector type		Single Phase	Three-phase	Three-phase+N
Nominal AC voltage (50/60Hz)	U _o /U _n		240V	
Maximum continuous operating voltage	(L-N) U _c		300V	
	(N-PE) U _c		305V	
Nominal discharge current (8/20μs)	(L-N)/(N-PE) I _n		20kA / 40kA	
Maximum discharge current (8/20μs)	(L-N)/(N-PE) I _{max}		40kA / 65kA	
Voltage protection level	(L-N)/(N-PE) U _p		1.5kV / 1.5kV	
	(L-N)/(N-PE) U _{oc}		6kV / 6kV	
Short circuit current of combination wave generator (8/20μs)	(L-N)/(N-PE) I _{cw}		3kA / 3kA	
Follow current interrupt rating	(N-PE) I _{fi}		100A	
Response time	(L-N)/(N-PE) t _A		< 25ns / < 100ns	
Overcurrent protection (max)			Not required	
Short-circuit current rating (AC)	(L-N) I _{SCCR}		100kA	
TOV withstand 5s	(L-N) U _T		337V	
	(L-N) U _T		442V	
TOV 120min	Mode		Safe Fail	
	(N-PE) U _t		1200V	
Operating temperature range	T _a		-40 °C to +85 °C	
Permissible operating humidity	RH		5%...95%	
Terminal screw torque	M _{max}		4.5Nm	
Conductor cross section (max)			2 AWG (solid, stranded) / 4 AWG (flexible)	
			35mm ² (solid, stranded) / 25 mm ² (flexible)	
Mounting			35 mm rail DIN, EN 60715	
Degree of protection			IP 20 (built-in)	
Housing material			Thermoplastic: extinguishing degree UL 94 V-0	
Thermal protection			Yes	
Operating state / fault indication			Green / Red	
Remote contacts (RC)			Optional	
RC switching capacity			AC: 250V/1A, 125V/1A; DC: 48V/0.5A, 24V/0.5A, 12V/0.5A	
RC conductor cross section (max)			16 AWG (solid) / 1.5mm ² (solid)	

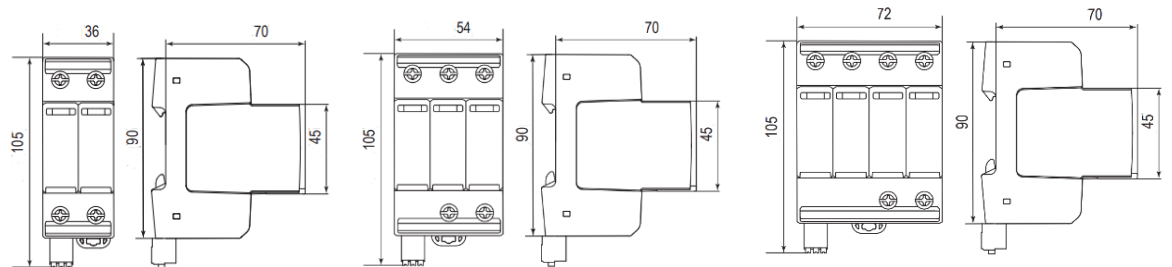
Internal Configuration

Legend

- L Line Conductor Terminal
- N Neutral Conductor Terminal
- ⏚ PE Conductor Terminal
- RC Remote Contacts Terminal
- TD Thermal Disconnecter
- F Integrated Surge Adapted Backup Fuse



Dimension & Packaging



Reference	24242	24243	24244
Name	FP T2F-300-20-2	FP T2F-300-20-3	FP T2F-300-20-4
Weight	266 g	407 g	478 g
Number of modules	2	3	4
Packaging dimensions	109 × 115 × 352 mm		

Spare Plug

Reference	24240	24291
Name	T2F-300-20	T2NF-305-40
Type	Phase	Neutral
Weight	69 g	
Number of modules	1	
Packaging dimensions	83 × 116 × 305 mm	

