



Surge Protection Device (SPD)

FP T1-275-25

Class 1+2

Surge Protection Device Class 1+2

$U_c=275V$, $I_{imp}=25kA$, $U_p=1500V$

Location of use : Main Distribution Boards

Network Systems : TT, TN-S/TN-C, IT

Mode of protection : L-PEN/L-N, N-PE

Class : Class 1+2

Compliance : IEC 61643-11:2011

EN 61643-11:2012+A11:2018



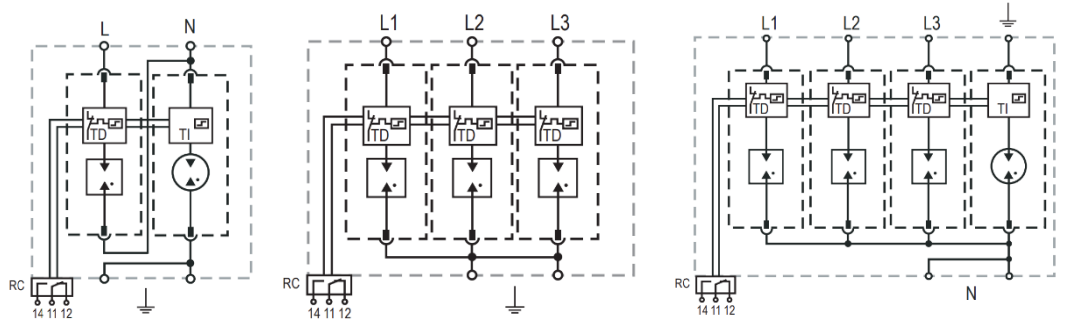
Technical Data

Reference	24127	24128	24129
Name	FP T1-275-25-2	FP T1-275-25-3	FP T1-275-25-4
Surge protector type	Single-phase	Three-phase	Three-phase+N
Nominal AC voltage (50/60Hz)	U_o/U_n		240V
Maximum continuous operating voltage	(L-N) (N-PE)	U_c	275V / 305V
Nominal discharge current (8/20 μ s)	(L-N)/(N-PE)	I_n	25kA / 100kA
Maximum discharge current (8/20 μ s)	(L-N)/(N-PE)	I_{max}	65kA / 150kA
Impulse discharge current (10/350 μ s)	(L-N)/(N-PE)	I_{imp}	25kA / 100kA
Specific energy	(L-N)/(N-PE)	W/R	156.2 kJ / Ω / 2500 kJ / Ω
Charge	(L-N)/(N-PE)	Q	12.5As / 50As
Voltage protection level	(L-N)/(N-PE)	U_p	1.5kV/1.5kV
Follow current interrupt rating (AC)	(N-PE)	I_{fi}	50kA / 100A
Response time	(L-N)/(N-PE)	t_A	100A
Overcurrent protection (max)			< 100ns / < 100ns
Fuse rating recommended			315A gG
		I_{imp}	125A gG
Short-circuit current rating (AC)	(L-N)	I_{SCCR}	25kA
TOV 120min	(L-N)	$U_T / Mode$	50kA
TOV withstand 200ms	(N-PE)	U_T	442 V / Safe disconnection
Operating temperature range		T_a	1200V
Permissible operating humidity		RH	-40 °C to +85 °C
Terminal screw torque		M_{max}	5%...95%
			4,5Nm
Conductor cross section (max)			2 AWG (solid, stranded) / 4 AWG (flexible)
Mounting			35mm ² (solid, stranded) / 25 mm ² (flexible)
Degree of protection			35 mm rail DIN, EN 60715
Housing material			IP 20 (built-in)
Thermal protection			Thermoplastic: extinguishing degree UL 94 V-0
Operating state / fault indication			Yes
Remote contacts (RC)			Green / Red
RC switching capacity			Yes
RC conductor cross section (max)			16 AWG (solid) / 1.5mm ² (solid)

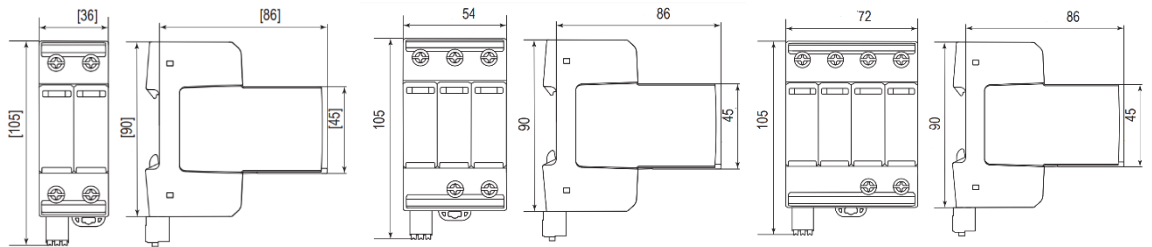
Internal Configuration

Legend

L	Line Conductor Terminal
N	Neutral Conductor Terminal
⏏	PE Conductor Terminal
RC	Remote Contacts Terminal
TD	Thermal Disconnecter
TI	Thermal Indication



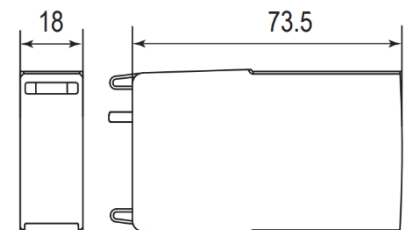
Dimension & Packaging



Reference	24127	24128	24129
Name	FP T1-275-25-2	FP T1-275-25-3	FP T1-275-25-4
Weight	356 g	514 g	697 g
Number of modules	2	3	4
Packaging dimensions	109 × 115 × 352 mm		

Spare Plug

Reference	24125	24192
Name	T1-275-25	T1N-305-100
Type	Phase	Neutral
Weight	110 g	
Number of modules	1	
Packaging dimensions	109 × 116 × 352 mm	



Circuit Breaker

Reference	24127	24128	24129
Name	FP T1-275-25-2	FP T1-275-25-3	FP T1-275-25-4
Circuit breaker reference	20020	20021	20022
Fuse reference	80367		

