



FRANCE[®]
PAR TONNERRES

OUR RELIABILITY IS YOUR FIRST INSURANCE

CATALOGUE



IONIFLASHMACH[®]

Early Streamer Emission Air Terminal



French patent, Technology and Production



Edition 2018



**“The quality of a team
ready to help you”**





Contents

France Paratonnerres

- > They placed their trust in us 4
- > Our competitive advantages 6

Early Streamer Emission Air-terminals. The IONIFLASH MACH® technology

- > The ESE IONIFLASH MACH® 9
- > Standards and Tests 12
- > Protection Radius 16

Our products for the Direct Lightning Protection

- > The ESE IONIFLASH MACH® 19
- > Testing Devices and Lightning Impulse Counters 26
- > Capture Systems – Simple Rods 31
- > Brackets and fastening systems 32
- > Conductors 44
- > Conductor fixings 47
- > Conductors interconnection 54
- > Earthing system 57
- > Equipotentiality connection 63

Our products for the Indirect Lightning Protection

- > Class I Surge Protective Devices 66
- > Class I – II Surge Protective Devices 68
- > Class I – Class II Surge Protective Devices 69
- > Class II Surge Protective Devices 69
- > Telephonic, data and network SPD 71
- > Renewable photovoltaic and wind system SPD 72
- > Miscellaneous SPD 73
- > Choice guide and Installation schematic 75

Prevention Range

- > Thunderstorm Detectors 78

Accessories

| | |
|---------------|----|
| > Accessories | 83 |
|---------------|----|

Certifications

| | |
|------------------------------------|----|
| > ISO 9001 certification | 92 |
| > Qualifoudre certification | 93 |
| > UL Certification | 94 |
| > IONIFLASH MACH® carbon footprint | 95 |
| > IONIFLASH MACH Tests | 96 |

France Paratonnerres / Our services

| | |
|---|-----|
| > Lightning Risk Assessment and Technical Studies | 98 |
| > Information sheet for the Risk assessment Analysis | 100 |
| > Training Seminars | 103 |
| > Take off, Dismantling, Packaging and storage of radioactive air-terminals | 104 |
| > Installations | 104 |
| > Maintenance of sites | 105 |
| > Examples of lightning protection installations | 106 |

General Information about Lightning

| | |
|----------------------------|-----|
| > The lightning phenomenon | 112 |
| > Regulation | 117 |
| > Notes | 119 |

*Non-contractual pictures

France Paratonnerres

> They placed their trust in us >



Cableship



Chenonceau Castle



Université Embry-Riddle - Floride



RTV Ecuador In Ecuador



Pluspétrol In Peru



Launch Pad - Kourou (Guyana)



Mine - Ouganda

Tower of Belem - Portugal



France Paratonnerres

> They placed their trust in us >



Eiffel Tower in Paris



Satu Mare Church, Romania



Forbidden City, Beijing



Chamber of Commerce, Tripoli



Business Centre, New Caledonia



Amman Airport, Jordan

France Paratonnerres



France Paratonnerres is a 100% French company, based in the Ester Technopole site in Limoges. (1h by plane from Paris)



France Paratonnerres capitalising on more than 40 years of research in laboratories and field experiences, of development and of production of high technology devices in lightning protection

Its equipments are installed in more than 70 countries in more than one thousand of sites, with a field experience of the most liability, thanks to its technologic choice.

Our company is registered and certified by **Bureau Veritas**, according to the **ISO 9001** 2015 Version.

Our procedures, our products and our staff are certified and authorized with respect to the requirements of the **QUALIFOUDRE** certification (approved by the ministry)



France Paratonnerres

> For you, France Paratonnerres it's >

■ A well-known scientific actor



Nominated among the world best scientific hopes for its work and publications, the team of research of our firm is invited and lecturer in numerous world-renowned conferences.

Its work is based on laboratory and in-situ tests, observations and results which allowed to characterize the attachment phenomenon of lightning, and therefore optimize the protection systems of the induced phenomenon.

At the root of the last worldwide patent **IONIFLASH MACH®**, **France Paratonnerres** is proud of the reliability of its expertise, and the sustainability of its solutions.

■ Actor in the scientific research



France Paratonnerres

> France Paratonnerres leads >

■ A department of very high quality

Our organisation insures you:

- the same interlocutor, trilingual with a pointed follow-up of your commercial and technical projects
- An answering time, lower than 24h for your consultation
- A deadline of load from 24 to 48 hours for all your orders

■ A quality guaranteed by big brands



IONIFLASHMACH®

IONICOUNT®

And implemented by a quality management in all the technical operations

- Reception and control of all the entering materials
- Certificates of compliance material
- Traceability of every component
- Individual control of every device in several stages of the production
- Recording of the statements, the analysis of the events
- Since the origin of the raw material, manufacturing of the part, and the final conception, each component is treat , verify, tested and individually registered.

■ A social and human politic

France Paratonnerres lead a politic which cares of the well-being of its employees and of the environment. Mindful of the regulatory obligations and current laws, creating a work environment ideal for the development and the blossoming of the relations between its partners.

Early Streamer Emission Air-Terminal The IONIFLASH MACH[®] technology



Early Streamer Emission Air Terminals / IONIFLASH MACH® Technology

> The IONIFLASH MACH®

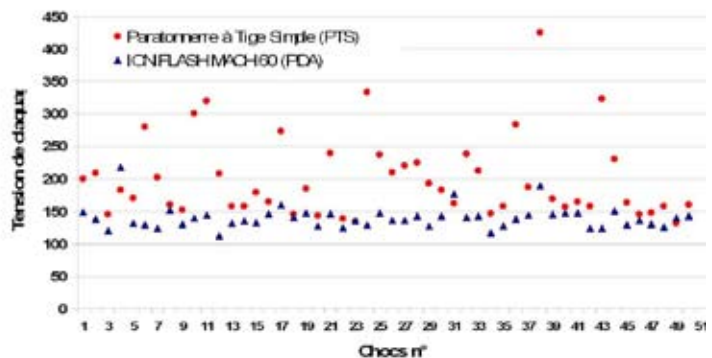
■ The IONIFLASH MACH® range (early streamer emission air terminal)

A complete and well scaled range from 15 to 60 µs of Early Streamer Emission times, in order to answer in the most adapted way to each needs



| IONIFLASH MACH® | Mach NG15 | Mach NG25 | Mach NG30 | Mach NG45 | Mach NG60 |
|---|-----------|-----------|-----------|-----------|-----------|
| A high level of early streamer emission time Δt | 55 µs | 78 µs | 87 µs | 114 µs | 135 µs |
| Standard deviation ratio : K | 0,61 | 0,76 | 0,74 | 0,44 | 0,29 |

- Very low dispersion of its performances
- Functioning well adapted to the lightning frequency range (0 to 10 MHz)
- Is not sensible to bad weather with its internal spark gap
- Two spark gaps proportioned in order to have an adapted range of working and this, whatever the meteorological conditions are. (rain, snow, hail...)
- No electronic device > No energy consumption
- Electrostatic activation of the streamer emission device during the increase of electromagnetic field of the earth
- No fragile component > Metallic parts in Stainless steel 316 L
- Functioning still optimum after 2 serial tests with 7 lightning strokes in normalized wave 10/350 µs at 100 kA
- Eco-conception of the IONIFLASH MACH® is implemented being concerned by the environment
- Patented technology.
- 10 years Guarantee
- Life duration > 35 years



Early Streamer Emission Air Terminals / IONIFLASH MACH® Technology

> The IONIFLASH MACH®

■ Functioning

When the downward leader gets close to the ground (about 100 metres above the point), it generates an electric field above it which increases until 100 kilovolts per metre.

This is when the corona discharge effect takes place, changing suddenly from a position at the tip to an upward leader.

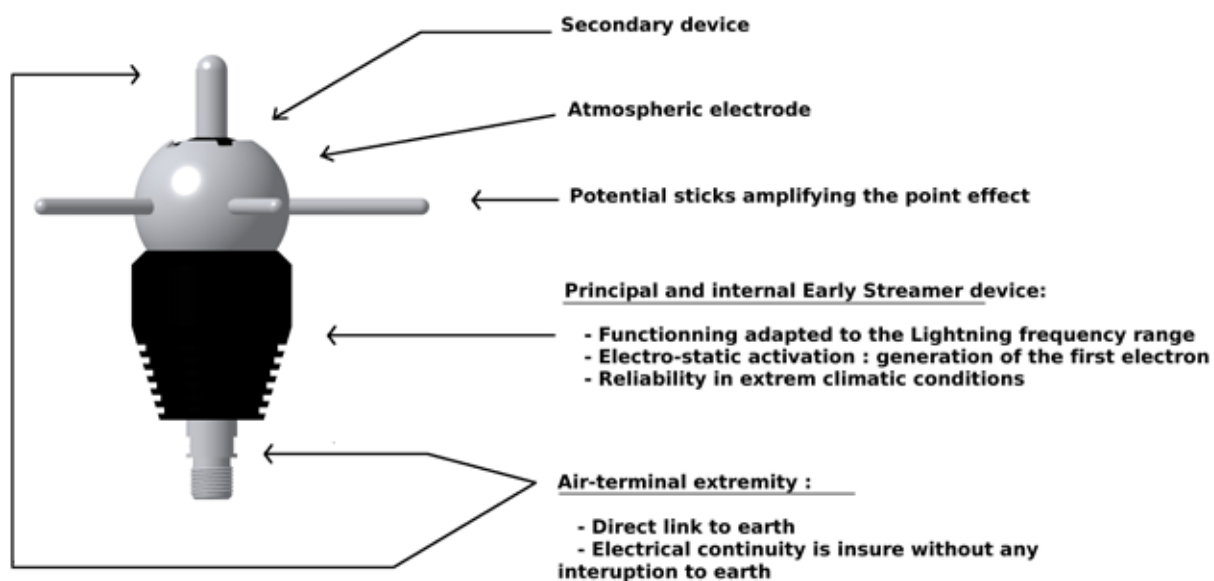
These positive upward leaders suddenly move in the direction of the downward leader. One of the leaders, the closest or the one which has started earlier or the one which has travelled the faster, enters into contact with the downward leader. Then, the ionised air channel is in connection with both the ground and the cloud, and the return stroke can take place, engendering a high lightning current of many kA.

The air terminal **IONIFLASH MACH®** is a device for lightning protection with a spherical metal part fixed to the top. This sphere is insulated from the rod by a ring made from a material with very high electrical insulation properties.

When a storm comes, the external electrode (sphere) charges under the influence of the electric field until the potential reaches a critical value from which a spark appears between the exterior electrode and the tip of the central electrode. The tip enables plasma to be created close by the tip.

The plasma, in association with the intense electric field created close by the tip, constitutes the first stage of development of an upward leader.

The spark produced at the top of the **IONIFLASH MACH®** air terminal will initiate the advance of the discharge, engendering an upward leader moving in the direction of the downward leader.



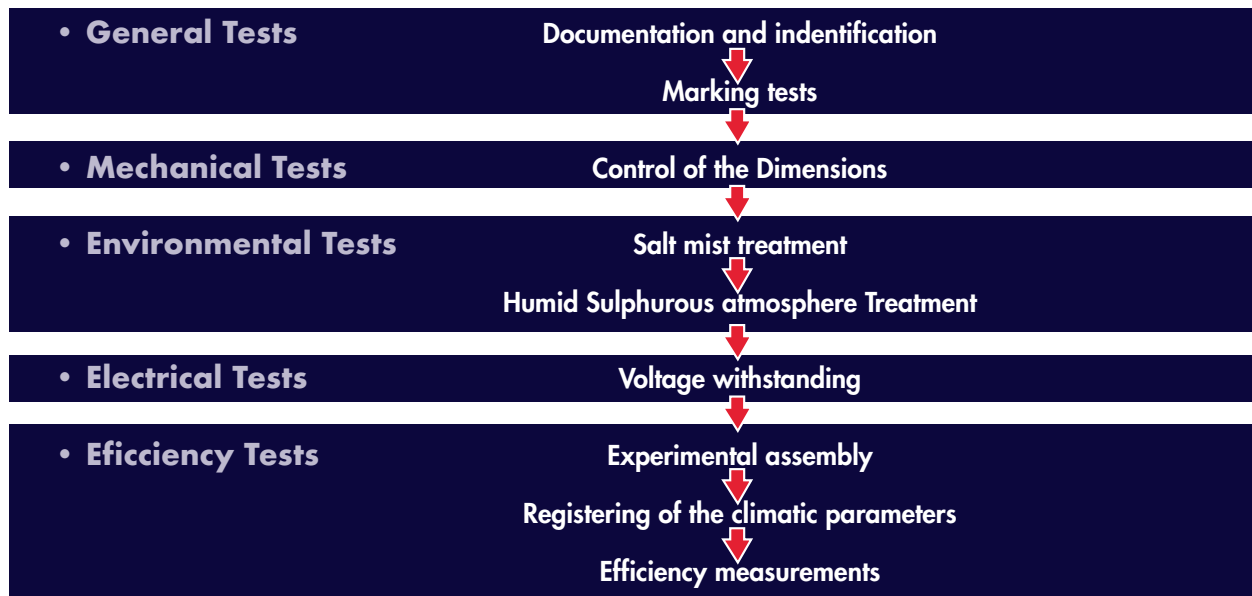
Early Streamer Emission Air Terminals / IONIFLASH MACH® Technology

> Standard and Tests >

■ Laboratory Tests

The last edition of the NFC 17-102 standard (2011) Strengthen the tests of requirements with which must be confronted the ESE

A complete sequence of tests is defined in order to confront the IONIFLASH MACH® to the whole parameters it will meet in natural condition



■ Homologated in independent

The Early Streamer Emission air terminal IONIFLASH MACH® is a non-electronic system. The absence of electronic makes it extremely reliable and easy to install on a very large variety of sites.

In addition, the materials used to make IONIFLASH MACH® have been selected for their resistance to both corrosion and very high temperatures.

The IONIFLASH MACH® ESE air-terminals have passed the complete sequence of tests of the NFC 17-102 standard (2011). Some tests have been realized in a more severe way than required in order to warranty the most important liability to our products.

Moreover, the good insulation of the IONIFLASH MACH® has been tested in rain condition with respect to the IEC 60060-1 standard.

> Standard and Tests >

■ Homologated in independent Laboratories

• General test

The engraving laser of the **IONIFLASH MACH®** meets the requirements of marking of the test. It is indelible with time.

• Mechanical tests

The continuous axis of the **ESE IONIFLASH MACH®** through which the lightning current passes, presents a minimal section of 200 mm² according to the requirements of this tests.

• Environmental tests

The **IONIFLASH MACH®** have passed the environmental tests:

- Salt mist treatment with a severity of level 2 according to the EN 60068-2-52.
- Humid sulphurous treatment with a 7 cycles sequence according to the EN ISO 6988.

The pollution generated by the test sequence is superficial and doesn't disturb the functioning of the **IONIFLASH MACH®**.

• Electrical tests

The **IONIFLASH MACH®**, range has been tested in lightning attachment impact with a 10/350 µs waveform at 100 kA and at 200 kA passes the test requirements.

Indeed, the **IONIFLASH MACH®** has been impacted by 2 series of 7 impacts at 100kA (while the standard requires only 3 impacts), one in negative polarity and one in positive polarity.

The air-terminals show no deterioration or performing, except the parts through which the current is flowing, where tracks of initiating and fusion appear.

It is important to note that the **IONIFLASH MACH®** has been tested via the attachment method and not with the contact one. Indeed, when the generator electrode is in direct contact with the ESE tip, the spark and the disruption of the air properties isn't generated. In this way, the put under constraint of the ESE's tip isn't realized.

• Efficiency tests

Le **ESE IONIFLASH MACH®** is design to reduce the average statistical time associated with the initiating of the upward streamer. This ESE presents an advanced time in comparison with a simple reference rod (PTS) tested in the same conditions. This gain is evaluated in high voltage laboratory



Early Streamer Emission Air Terminals / IONIFLASH MACH® Technology

> Standard and Tests >

■ Homologated in independent Laboratories

| IONIFLASH MACH® | Mach NG15 | Mach NG25 | Mach NG30 | Mach NG45 | Mach NG60 | |
|---|--|------------|------------|------------|------------|------------|
| Results on the experimental waveform in laboratory $\langle T'_{PTS} \rangle$ (μs) | Average reference time of breakdown $\langle T'_{PTS} \rangle$ (μs) | 252 | 252 | 186 | 186 | 199 |
| | Average reference time of breakdown $\langle T'_{PDA} \rangle$ (μs) | 222 | 213 | 150 | 138 | 140 |
| | $\langle T'_{PTS} \rangle - \langle T'_{PDA} \rangle$ | 30 | 39 | 34 | 46 | 59 |
| | Standard deviation σ_{PTS} (μs) | 40 | 40 | 43 | 43 | 62 |
| | Standard deviation σ_{PDA} (μs) | 25 | 31 | 32 | 19 | 18 |
| | $k = \frac{\sigma_{PDA}}{\sigma_{PTS}}$ | 0.61 | 0.76 | 0,74 | 0,44 | 0,29 |
| Weighted early emission time | | 15 μs | 25 μs | 30 μs | 45 μs | 60 μs |

During efficiency test, in different high voltage laboratories, the IONIFLASH MACH® air-terminal have obtained excellent breakdown time $\langle T' \rangle$ with very low standard deviation in comparison with the simple reference rod.

• Insulation test in rain condition

The IONIFLASH MACH® have also been tested in rain conditions

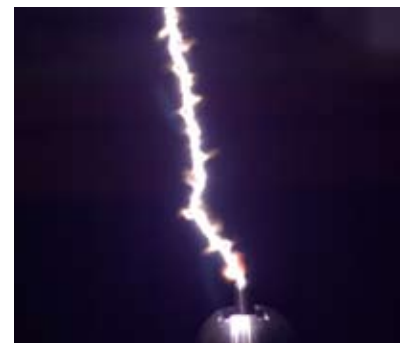
In High voltage laboratories, the breakdown voltage in dry and rain conditions are compared

The IONIFLASH MACH® ESE are very well insulated and their working isn't disturb by the rain pollution.

Insulation test are realized both in continuous and impulsed voltage

Moreover, the IONIFLASH MACH® have passed insulation tests in rain conditions.

Tests have been performed according to IEC 60060-1 standard protocol. The insulation is greater than 97 %.



Early Streamer Emission Air Terminals / IONIFLASH MACH® Technology

> Standard and Tests >

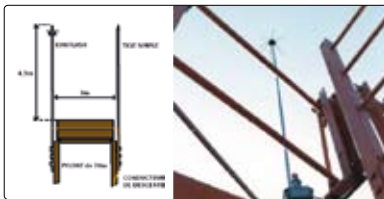
■ In compliance with National and International Standards

This gain in emission time of the upward leader enables a gain in distance of about 60 m compared to a conventional air terminal (by taking into account that average speed of leaders is about 1m/μs).

Thus, the protection of our **IONIFLASH MACH®**, for a surface to be protected, depends on the lightning level of protection determined by the lightning risk evaluation (EN 62305-2), on the height of the tip of the air terminal and on the early streamer emission time (ΔT)

- The **IONIFLASH MACH®** has been tested strictly in respect of the procedures defined in the NFC 17-102 in :
 - AMPERE CNRS (National Scientific Research Center) Laboratory in LYON (France)
 - Grand Top Europe Laboratory
 - Laboratoire de Génie Electrique in PAU (under bailiff's control)
 - SHANGHAI JIAO TONG Laboratory (China)
 - Laboratoire CPRI BANGALORE (India)
 - GERAC Laboratory of LIMOGES (France)
 - LCIE Central Laboratory of FONTENAY UAX ROSES (France)
 - Assured Testing Laboratory (US)
- TESTED IN COMPLIANCE WITH STANDARDS NFC 17-102 2nd edition September 2011, UNE 21186 Annex C, IEC 62 561, EN62305 and NP4426

■ The IONIFLASH MACH® is tested and analysed in various In situ test



In situ test FT / Puy Beaubier Site – Alt. 879m – June 1987 to June 1988
Hertzian pylon of 70m installed on very impacted site.
The **IONIFLASH IF1** and a simple rod were installed at both side of the pylon at the same high.

The results were several impacts on the **IONIFLASH** and none on the Simple rod.

In Situ Test / High Mountain resort – Alt. 1804m – April 2009



The target : to validate the performance of the material used, as well as the behaviour of the **IONIFLASH MACH®** in extreme climatic conditions.

Winds > 150km/h and temperatures from -35°C to 40°C

Installation on a telecommunication pylon (15m high).

The mechanical resistance and in temperature of materials in extreme climatic conditions is perfect.

The lightning strike counter **IONICOUNT®** records the events

In Situ Test / Satu Mare Church (Romania) – June 2011



The target: to observe the early streamer emission of the **IONIFLASH MACH®** facing a simple rod both installed in the same conditions.

The church has two spires: the **IONIFLASH MACH®** and the simple rod are installed in identical conditions.

The lightning strike counter **IONICOUNT®** records the events

Early Streamer Emission Air Terminals / IONIFLASH MACH® Technology

> Protection Radius >

■ Radius of Protection of the IONIFLASH MACH®

The radius of protection (R_p) of an E.S.E. air-terminal depends on its height (h) in relation to the surface to be protected, its early streamer emission time (Δt) and the level of protection (L_p) chosen.

$$R_p = \sqrt{h(2D - h) + \Delta L(2D + \Delta L)} \text{ for } h \geq 5\text{m}$$

$$R_p(h) = h \times \frac{R_p(5)}{5} \text{ for } 2 \leq h \leq 5\text{m} \quad (2)$$

$R_p(h)$ (m) corresponds to the protection radius for a stated height (h);

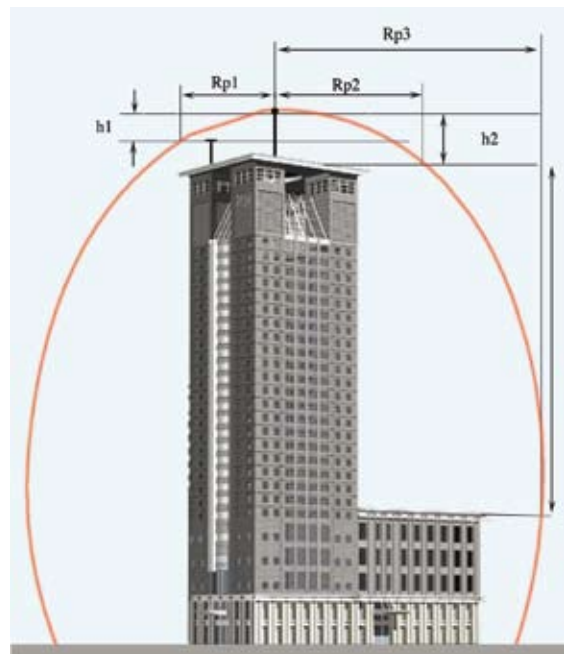
h (m) corresponds to the height of the tip of the E.S.E. air-terminal in relation to the horizontal point passing through the top of the element to be protected.

r (m)

- 20m for protection level I
- 30m for protection level II
- 45m for protection level III
- 60m for protection level IV

$$\Delta(m) = \Delta T \times 10^6$$

The experience shows that Δ efficiency is obtained during the evaluation tests of the E.S.E. air-terminal.



Early Streamer Emission Air Terminals / IONIFLASH MACH® Technology

> Protection Radius >

■ Radius of Protection of the IONIFLASH MACH NG

| | | Tip height in meters | | | | | | | | | | |
|---------|----------------------|----------------------|----|----|-----|-----|-----|-----|-----|-----|-----|-----|
| | | 2 | 3 | 4 | 5 | 6 | 10 | 15 | 20 | 30 | 45 | 60 |
| LEVEL 1 | MODELS | | | | | | | | | | | |
| | IONIFLASH MACH NG 15 | 13 | 19 | 25 | 32 | 32 | 34 | 35 | 35 | 34 | 24 | |
| | IONIFLASH MACH NG 25 | 17 | 25 | 34 | 42 | 43 | 44 | 45 | 45 | 44 | 37 | 21 |
| | IONIFLASH MACH NG 30 | 19 | 29 | 38 | 48 | 48 | 49 | 50 | 50 | 49 | 43 | 30 |
| | IONIFLASH MACH NG 45 | 25 | 38 | 51 | 63 | 63 | 64 | 65 | 65 | 64 | 60 | 51 |
| | IONIFLASH MACH NG 60 | 31 | 47 | 63 | 79 | 79 | 79 | 80 | 80 | 79 | 76 | 69 |
| LEVEL 2 | MODELS | | | | | | | | | | | |
| | IONIFLASH MACH NG 15 | 15 | 22 | 30 | 37 | 38 | 40 | 42 | 44 | 45 | 42 | 34 |
| | IONIFLASH MACH NG 25 | 20 | 29 | 39 | 49 | 49 | 51 | 53 | 54 | 55 | 53 | 46 |
| | IONIFLASH MACH NG 30 | 22 | 33 | 44 | 55 | 55 | 57 | 58 | 59 | 60 | 58 | 52 |
| | IONIFLASH MACH NG 45 | 28 | 42 | 57 | 71 | 71 | 72 | 73 | 74 | 75 | 73 | 69 |
| | IONIFLASH MACH NG 60 | 35 | 52 | 69 | 86 | 87 | 88 | 89 | 89 | 90 | 89 | 85 |
| LEVEL 3 | MODELS | | | | | | | | | | | |
| | IONIFLASH MACH NG 15 | 18 | 27 | 36 | 45 | 46 | 49 | 52 | 55 | 58 | 60 | 58 |
| | IONIFLASH MACH NG 25 | 23 | 34 | 46 | 57 | 58 | 61 | 63 | 65 | 68 | 70 | 68 |
| | IONIFLASH MACH NG 30 | 25 | 38 | 51 | 63 | 64 | 66 | 69 | 71 | 73 | 75 | 73 |
| | IONIFLASH MACH NG 45 | 32 | 48 | 64 | 81 | 81 | 83 | 85 | 86 | 89 | 90 | 89 |
| | IONIFLASH MACH NG 60 | 39 | 58 | 78 | 97 | 97 | 99 | 101 | 102 | 104 | 105 | 104 |
| LEVEL 4 | MODELS | | | | | | | | | | | |
| | IONIFLASH MACH NG 15 | 20 | 31 | 41 | 51 | 52 | 56 | 60 | 63 | 69 | 73 | 75 |
| | IONIFLASH MACH NG 25 | 26 | 39 | 52 | 65 | 66 | 69 | 72 | 75 | 80 | 84 | 85 |
| | IONIFLASH MACH NG 30 | 28 | 43 | 57 | 71 | 72 | 75 | 78 | 81 | 85 | 89 | 90 |
| | IONIFLASH MACH NG 45 | 36 | 54 | 72 | 89 | 90 | 92 | 95 | 97 | 101 | 104 | 105 |
| | IONIFLASH MACH NG 60 | 43 | 64 | 85 | 107 | 107 | 109 | 111 | 113 | 116 | 119 | 120 |

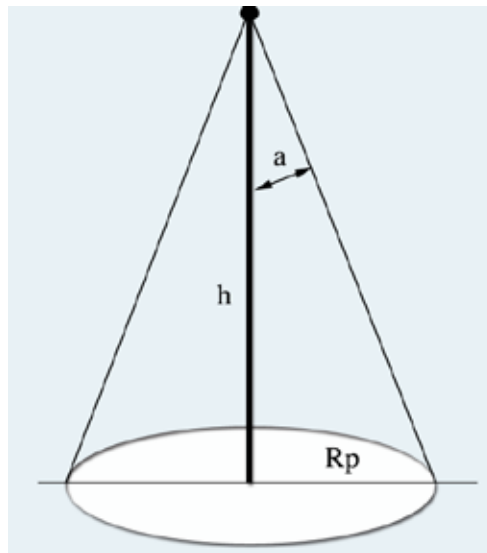
Early Streamer Emission Air Terminals / IONIFLASH MACH® Technology

> Protection Radius >

■ Radius protection of a simple rod

The protected volume of a simple lightning rod depends of the height (h) of the masts where it is installed in relation to the surface to be protected, and of the Level of protection (N_p).

For most of the case, the angle of protection method is suited. The angle of protection is constant for heights h lower than 2 m



Angle of protection according to the EN 62305 standard

In comparison with the IONIFLASH MACH ESE, the table below indicates the protection radius (R_p), versus the height of the simple air-terminal and gives the protected volume.

| Simple Rod protection radius (m) | | | | |
|----------------------------------|---------|----------|-----------|----------|
| | Level I | Level II | Level III | Level IV |
| 2 | 5 | 6 | 8 | 10 |
| 3 | 7 | 7 | 10 | 13 |
| 4 | 8 | 9 | 13 | 15 |
| 5 | 8 | 10 | 13 | 16 |
| 6 | 9 | 11 | 14 | 17 |
| 8 | 10 | 12 | 16 | 19 |
| 10 | 10 | 14 | 18 | 21 |
| 20 | 8 | 15 | 22 | 27 |
| 30 | | 12 | 23 | 30 |
| 45 | | | 19 | 31 |
| 60 | | | | 25 |

Our Products for the direct lightning Protection



Our products / Protection against direct effects of lightning

> The ESE IONIFLASH MACH®

■ The IONIFLASH MACH® Air Terminals

- Stainless steel 316 L range

Early Streamer Emission Air Terminal for the protection of all the structures and opened areas.

[Patented technology. High reliability

[Very early streamer emission of the leader

[Low dispersion of the time of breakdown when tested under high voltage.

[Very good Carbon footprint

● IONIFLASH MACH NG 60



● IONIFLASH MACH NG 45



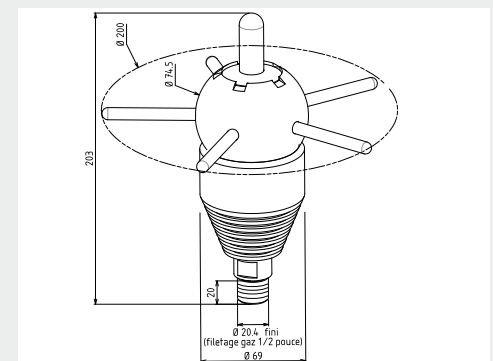
● IONIFLASH MACH NG 30



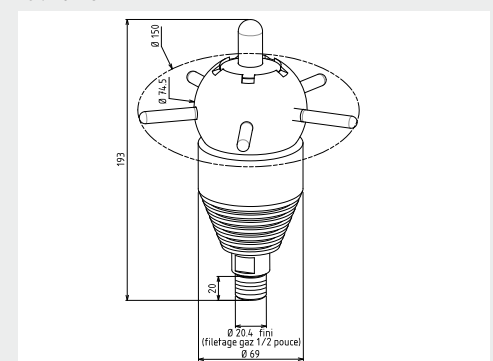
In accordance with the standards
NFC 17-102 and UNE 21-186

Capture elements in accordance
with the standards IEC 62 561, as
required in the serial standards
EN/CEI 62305.

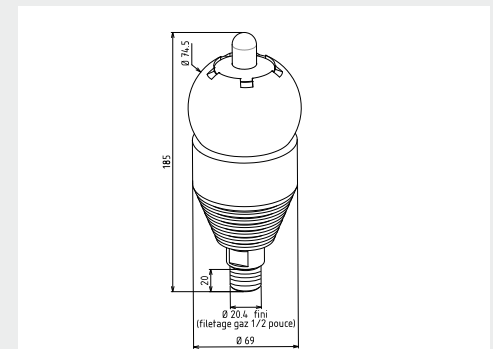
Ref. 90160



Ref. 90145



Ref. 90130



Our products / Protection against direct effects of lightning

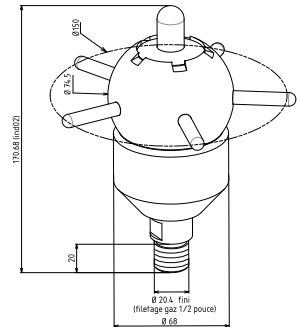
> The ESE IONIFLASH MACH®

■ The IONIFLASH MACH® Air Terminals

• IONIFLASH MACH NG 25



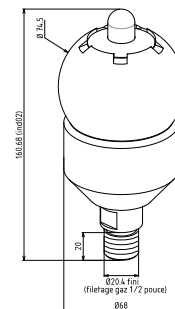
Ref. 90325



• IONIFLASH MACH NG 15



Ref. 90315



| Ref | Description | Material | Emission Time | | Weight |
|-------|-------------|-----------------------|---------------|----------|--------|
| | | | measured | weighted | |
| 90160 | MACH NG 60 | Stainless steel 316 L | 135 µs | 60 | 2,2 kg |
| 90145 | MACH NG 45 | Stainless steel 316 L | 114 µs | 45 | 2,1 kg |
| 90130 | MACH NG 30 | Stainless steel 316 L | 87 µs | 30 | 2 kg |
| 90325 | MACH NG 25 | Stainless steel 316 L | 78 µs | 25 | 1,9 kg |
| 90315 | MACH NG 15 | Stainless steel 316 L | 55 µs | 15 | 1,8 kg |

Our products / Protection against direct effects of lightning

> The ESE IONIFLASH MACH®

■ The IONIFLASH MACH® Air Terminals

- Stainless steel 316 L range with test by cable

Early Streamer Emission Air Terminal for the protection of all the structures and opened areas.

[Patented technology. High reliability

[Very early streamer emission of the leader

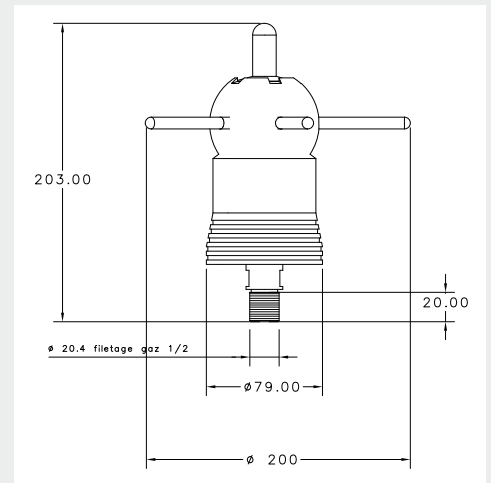
[Low dispersion of the time of breakdown when tested under high voltage.

[Very good Carbon footprint

• IONIFLASH MACH NG 60 TF



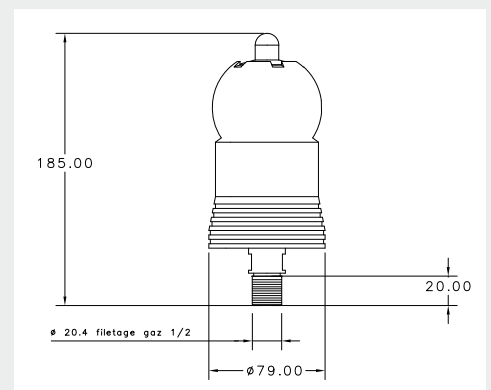
Ref. 90190



• IONIFLASH MACH NG 30 TF



Ref. 90180



| Ref | Description | Material | Emission Time | | Weight |
|-------|---------------|------------|---------------|----------|--------|
| | | | measured | weighted | |
| 90190 | MACH NG 60 TF | Inox 316 L | 97 µs | 60 | 2,1 kg |
| 90180 | MACH NG 30 TF | Inox 316 L | 88 µs | 30 | 2,2 kg |

Our products / Protection against direct effects of lightning

> The ESE IONIFLASH MACH®

■ Sets of IONIFLASH MACH NG TF

- **10290** : 1 IONIFLASH MACH NG60 TF (90190) + 1 Pole of 2 m In 304 L Stainless Steel (11043) + 1 collar of fixation in tinned copper (15302 b)
- **10280** : 1 IONIFLASH MACH NG 30 TF (90180) + 1 Pole of 2 m In 304 L Stainless Steel (11043) + 1 collar of fixation in tinned copper (15302 b)



- Control Devices for IONIFLASH MACH NG

- **13501** : Control cable of 7 m with 2 female connectors for IONIFLASH MACH NG 30 TF and 60 TF
- **31001** : Control Box MACHTEST for IONIFLASH MACH NG TF

Ref. 31001



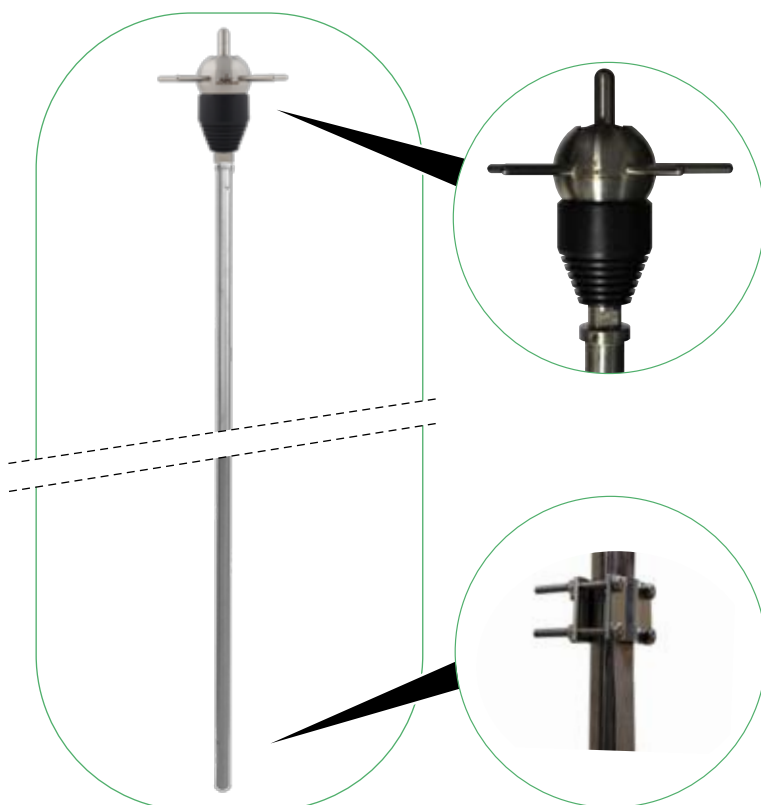
Our products / Protection against direct effects of lightning

> The ESE IONIFLASH MACH®

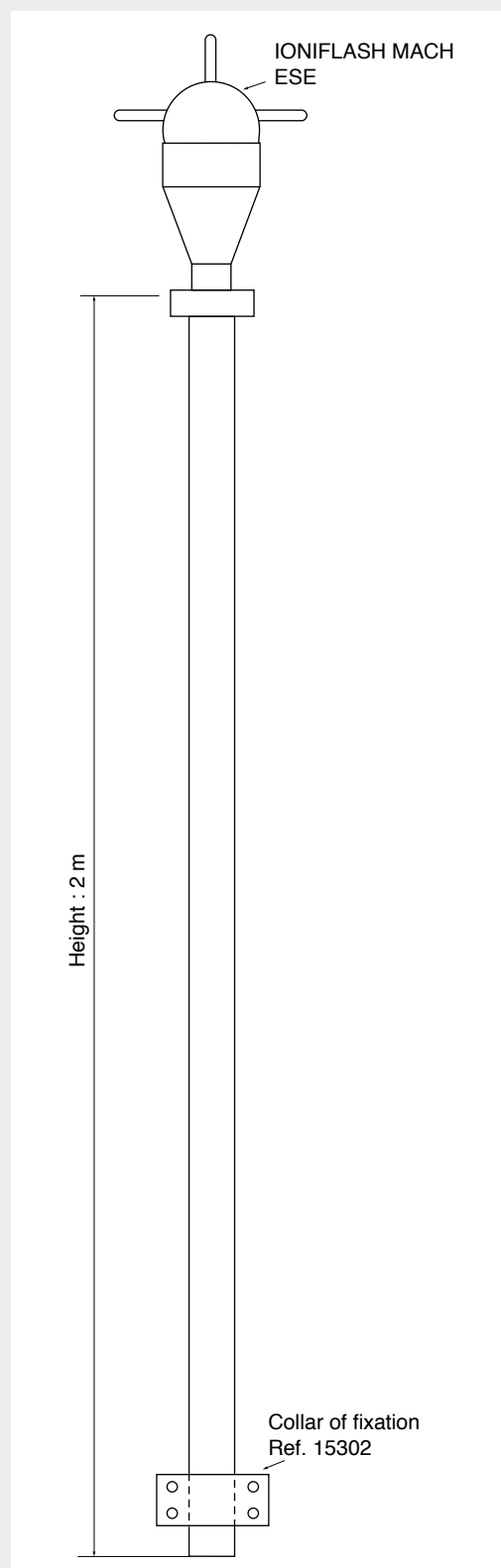
■ Sets of 2,15 m IONIFLASH MACH

- The IONIFLASH MACH NG kits are constituted of the elements below :

- **10260** : 1 IONIFLASH MACH NG60 (90160) + Pole of 2m in 304 L stainless steel (11042) + 1 collar of fixation in tinplated copper (15302)
- **10245** : 1 IONIFLASH MACH NG45 (90145) + Pole of 2m in 304 L stainless steel (11042) + 1 collar of fixation in tinplated copper (15302)
- **10230** : 1 IONIFLASH MACH NG30 (90130) + Pole of 2m in 304 L stainless steel (11042) + 1 collar of fixation in tinplated copper (15302)
- **10225** : 1 IONIFLASH MACH NG25 (90325) + Pole of 2m in 304 L stainless steel (11042) + 1 collar of fixation in tinplated copper (15302)
- **10215** : 1 IONIFLASH MACH NG15 (90315) + Pole of 2m in 304 L stainless steel (11042) + 1 collar of fixation in tinplated copper (15302)



| Ref | Length | Weight |
|--------------|--------|---------|
| 10260 | 2,15 m | 6,31 kg |
| 10245 | 2,15 m | 6,30 kg |
| 10230 | 2,15 m | 6,29 kg |
| 10225 | 2,15 m | 6,28 kg |
| 10215 | 2,15 m | 6,27 kg |



Our products / Protection against direct effects of lightning

> The ESE IONIFLASH MACH®

■ The IONIFLASH MACH® range

- Copper range

E.S.E. Air terminals for the protection of all types of structures and all open spaces.

[Patented technology. Very reliable

[Very early streamer emission of the leader. Emission at the right time

[Low dispersion of the time of breakdown when tested under high voltage.

[Very good carbon footprint.

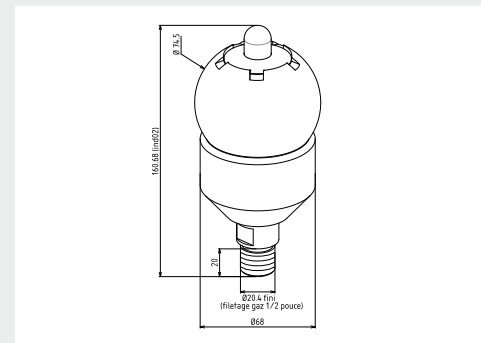
● IONIFLASH MACH NG 15



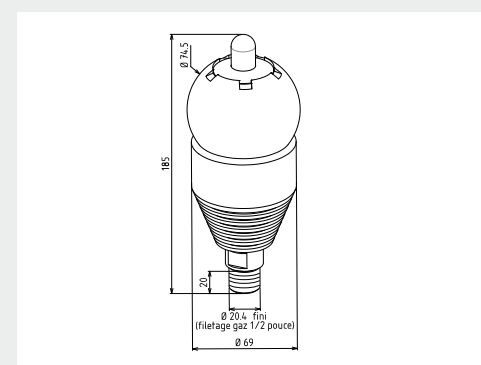
● IONIFLASH MACH NG 30



Ref. 90316



Ref. 90131



| Ref | Designation | Material | Advanced Time | | Weight |
|-------|-------------|-------------------------|---------------|----------|--------|
| | | | Measured | Weighted | |
| 90316 | MACH NG 15 | S/s copper bonded 316 L | 55 µs | 15 | 1,8 kg |
| 90131 | MACH NG 30 | S/s copper bonded 316 L | 87 µs | 30 | 2 kg |

Our products / Protection against direct effects of lightning

> Testing Devices and Lightning Impulse Counters >

■ Test on IONIFLASH MACH®

The **IONICHECK®** enables to confront the **IONIFLASH MACH® NG** to a typical high voltage lightning impulse.

• 30055

The high voltage test bench **IONICHECK®** is composed of a high voltage generator (200 000 Volts).

By its design, its use allows to carry out reliable tests of functioning in total security.

The **IONICHECK®** is an autonomous, transportable and rechargeable device.

Security : the release of the high voltage is carried out by activating simultaneously two push buttons positioned on both sides of the lower box.

*This high voltage test bench allows to control and to guarantee the well functioning of the **IONIFLASH MACH® NG** with the following checkings:

[**Insulation Test (Ω)**] : Check the well insulation of the different parts of the ESE air terminal.

[**High Voltage test (HV)**] : Check the well functioning of the early streamer emission internal device of the air terminal under high voltage (200 000 Volts).

Ref. 30055



| Ref | Material | Voltage | Test | Power Supplies |
|-------|-----------------------|----------|---------|----------------|
| 30055 | Hard Plastic Suitcase | 200000 V | HV Test | 9V Battery |

Our products / Protection against direct effects of lightning

> Testing Devices and Lightning Impulse Counters >

■ Test of the IONIFLASH MACH® - IONITEST

Verification of the well-functioning of the IONIFLASH MACH® range.

• 31003

Ref. 31003



Test on the air-terminal uninstalled.

The well-functioning of each air-terminal IONIFLASH MACH® can be easily checked by two contact points..

The test must be realised following each step of the instructions manual.

| Ref | Function | Power Supply | Dimension | Composition | Weight |
|--------|----------------------------|--------------------------|---------------|-------------------------------------|--------|
| 31 003 | Testing device IONITEST | 3 batteries 1,5 V AAA | 68 x 120 x 28 | 1 testing device 2 cables of 1 m | 180 g |

Our products / Protection against direct effects of lightning

> Testing Devices and Lightning Impulse Counters >

■ Connected Counter I FLASH REPORT

This counter allows the recording of the lightning strikes. These data are remotely accessible on a smartphone via a Bluetooth® com-system through the "FPT" application, or directly on the display.

- Battery life is between 2 and 3 years, in a normal context of use : consultation of the device once per trimester.

For a more frequent use, the lifetime of the battery can be lower. In this case, it is necessary to change the battery.

- The counter is fastened on the conductors thanks to two screws accessible on the front face of the product. It fastening of the product on the lightning protection installing it directly on the down conductors situated outdoor (Class as well as on the earthing system conductors situated on the inside lines (Class II)).

- It is the first lightning strike counter recorder for use on ELPS (External Lightning Protection System) and ILPS (Internal Lightning Protection System)

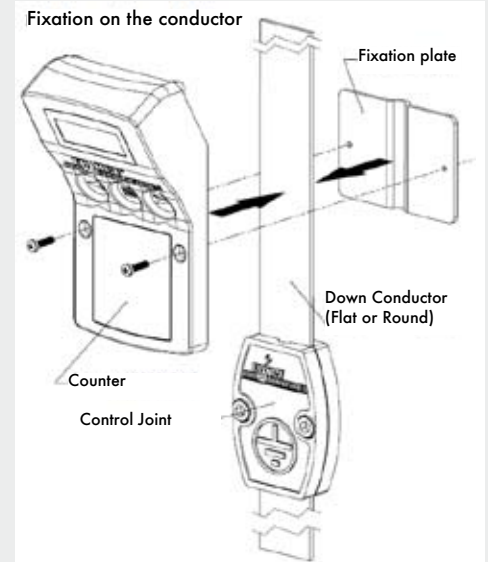
- This innovation is Protected by an international patent

• 30004

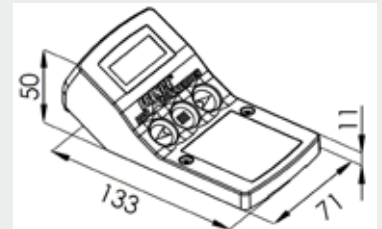
| | |
|--------------------|-----------------------------------|
| Reference | 30 004 |
| Connectivity | Bluetooth® |
| Reference Standard | NF EN 62561-6 |
| Counting | Up to 100 impacts |
| Functioning | Electronic |
| Detection range | 1 kA (8/20µs) / 100 kA (10/350µs) |
| Size | 133 x 71 x 50 mm |
| Weight | 200 g |
| Protection Index | IP67 |
| Temperature scale | - 25°C to + 70°C |
| Power supply | Lithium battery 3.6 V |
| Fixing | Parallel to any type of conductor |



Assembly Principle



Ref. 30004



Our products / Protection against direct effects of lightning

> Lightning Impulse Counters >

■ The Lightning impulse counter

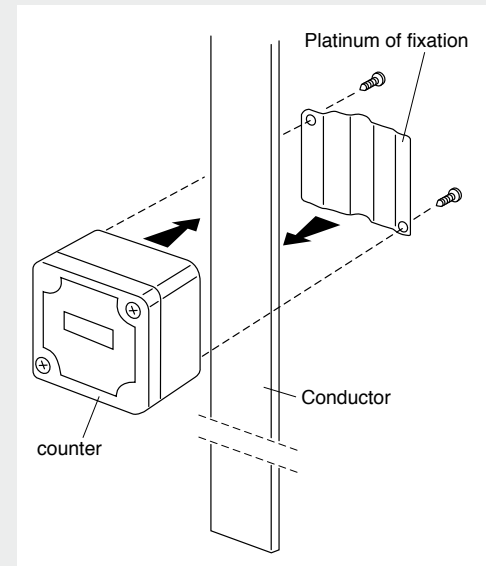
This counter records each lightning stroke on a lightning protection system. This information can be useful to do the maintenance of the lightning protection system after a lightning impact.

[Thanks to its reliable construction, this counter resists very well the outdoor difficult conditions (rain, sun). It is totally autonomous and requires no supply.

[Its performance was tested in COFRAC laboratory, and is guaranteed until 100kA, on negative and positive lightning strokes.

[Its small size allows it to be integrated discreetly on the lightning conductor.

Assembling principle



• 30002

| | |
|--------------------|------------------------------|
| Ref | 30002 |
| Fastening | Parallel |
| Counter | 1-999999 |
| Function mode | Electromechanic |
| Range of detection | 1 kA - 100 kA (8/20 μ s) |
| Size | 52 x 50x 30 mm |
| Weight | 200 g |
| Protection index | IP66 |

Ref. 30002



Operation

Placed directly on the lightning conductor, this meter uses fields shone by the current of lightning to activate an electromechanic meter.

Connection

This counter is installed just in contact of the lightning conductor (round \varnothing 8 to 10mm, flat 30x2 or 30x3mm) above the inspection joint, and at 2 meters behind the ground (NF C 17-102).

Fastening

The fastening is made on the counter with the stamped stainless steel plate. Thanks to its light weight, the product can simply be supported by the lightning conductor.

Our products / Protection against direct effects of lightning

> Lightning Impulse Counters >

■ The Lightning impulse counter / IEC 62 561-6

Counts the number of lightning impacts on an external installation for lightning protection. Easy to read and use.

[Battery supply functioning

- 30001

Ref. 30001

| | |
|------------------|-----------------|
| Ref | 30001 |
| Fastening system | Parrallel |
| Counter | 0-999999 |
| Function mode | Electronic |
| Detection range | 1 kA - 100 kA |
| Dimensions | 65 x 50 x 45 mm |
| Weight | 140 g |



Our products / Protection against direct effects of lightning

> Capture systems

■ Capture points

Those elements are often use to complete a lightning portection by ESE in order to protect structure with many salient angle (cathedral, castle, ...).

[To use with their adapted fastening systems (Ref. 17012 or 17013).
Their M10 threading enables a safety and simple installation.

• 17001/17002



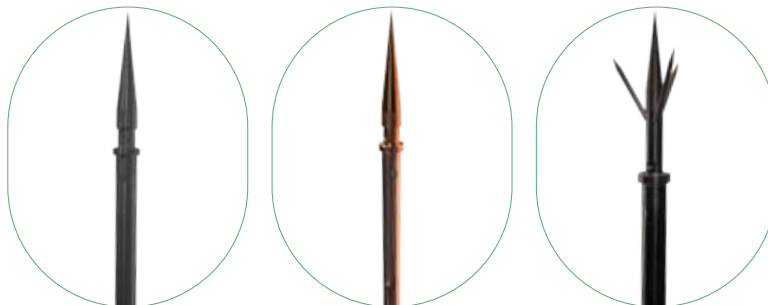
| Ref | Material | Diameter | Length | Weight |
|-------|-----------|----------|--------|---------|
| 17001 | S/s 304 L | 17 mm | 30 cm | 0,5 kg |
| 17002 | S/s 304 L | 17 mm | 50 cm | 0,91 kg |

■ The simple and multiple rod

Air Terminals with simple rods to protect roof structures, chimneys, ...

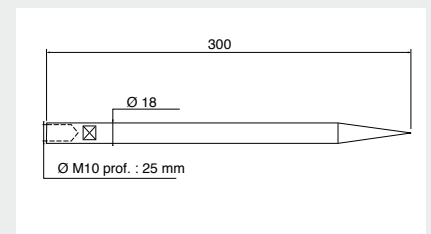
[This tips adapt (themselves) perfectly on the poles.
(Ref : 11042 à 11045

• 10013/10014/10017

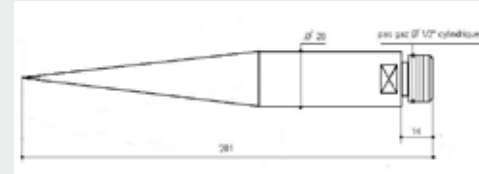


| Ref | Material | Diameter | Length | Weight |
|-------|-------------------------|----------|--------|--------|
| 10013 | S/s 304 L | 30 mm | 2,15 m | 5 kg |
| 10014 | S/s copper bonded 304 L | 30 mm | 2,15 m | 5 kg |
| 10017 | S/s 304 L | 30 mm | 2,15 m | 5 kg |

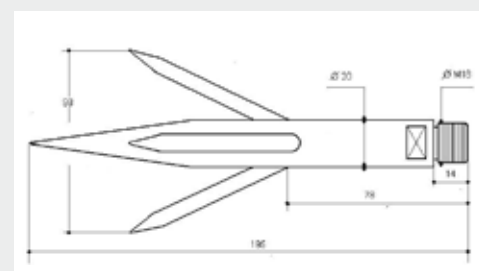
Ref. 17001



Ref. 10013/10014



Ref. 10017



Our products / Protection against direct effects of lightning

> Brackets and fixings >

■ The Stainless Steel Pole

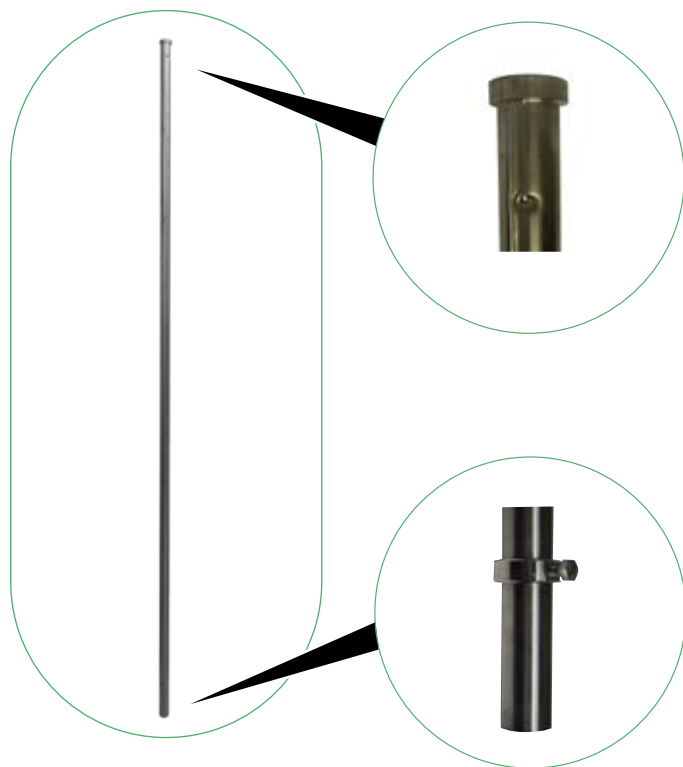
To attach the Air Terminal on a lightning protection installation 2 m above the highest point. The top has a threaded part at the top to fix the air terminal **IONIFLASH MACH®**.

[Very good electrical and mechanical contact.

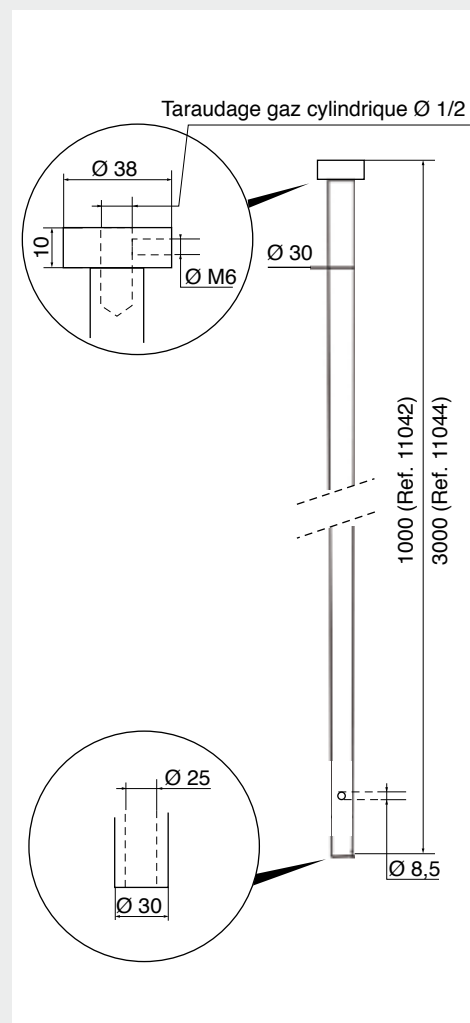
[In order to receive the 1st extended mast collar, the pole is drilled.

[The pole is able to receive a copper sheath (Ref 18020)

• 11042/11043/11044



Ref. 11042/11043/11044



| Ref | Material | Length | Diameter Inside / outside | Weight |
|-------|-----------|--------|---------------------------|--------|
| 11042 | S/s 304 L | 1 m | 25/30 mm | 2 kg |
| 11043 | S/s 304 L | 2 m | 25/30 mm | 4 kg |
| 11044 | S/s 304 L | 3 m | 25/30 mm | 6 kg |

Our products / Protection against direct effects of lightning

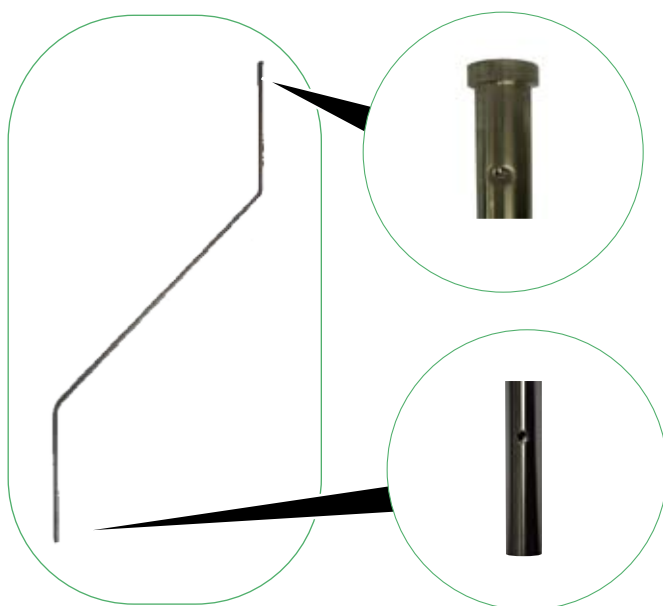
> Brackets and fixings >

■ The Stainless Steel Pole

- The deported pole

[Ideal bracket for the fixation of the **IONIFLASH MACH®** air-terminal on factories' chimney.

• 11047



| Ref | Material | Length | Diameter inside | Weight |
|-------|-----------|--------|-----------------|--------|
| 11047 | S/s 304 L | 4 m | 25 mm | 10 kg |

The Extension

Transition piece between Air Terminal and the pole (Ref1 1042 to 11048).

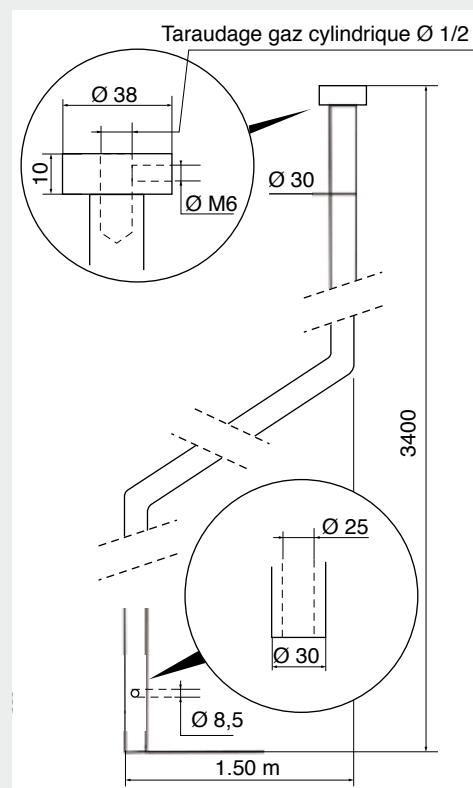
[Ideal for fastening of the connection collar for conductors (Ref. 15301) Equipped of a threaded system and of a security screw.

• 90110

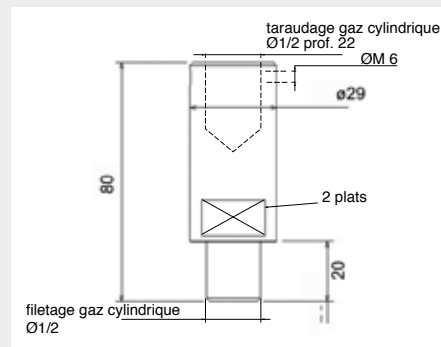


| Ref | Material | Length | Diameter Inside / outside | Weight |
|-------|-----------|--------|---------------------------|---------|
| 90110 | S/s 304 L | 80 mm | 24,8/38 mm | 0,35 kg |

Ref. 11047



Ref. 90110



Our products / Protection against direct effects of lightning

> Brackets and fixings >

■ The extended masts

These 304L stainless steel extended masts are used to raise the height of the Air Terminal on the highest point of the building.

[They can be lengthened depending on the height required

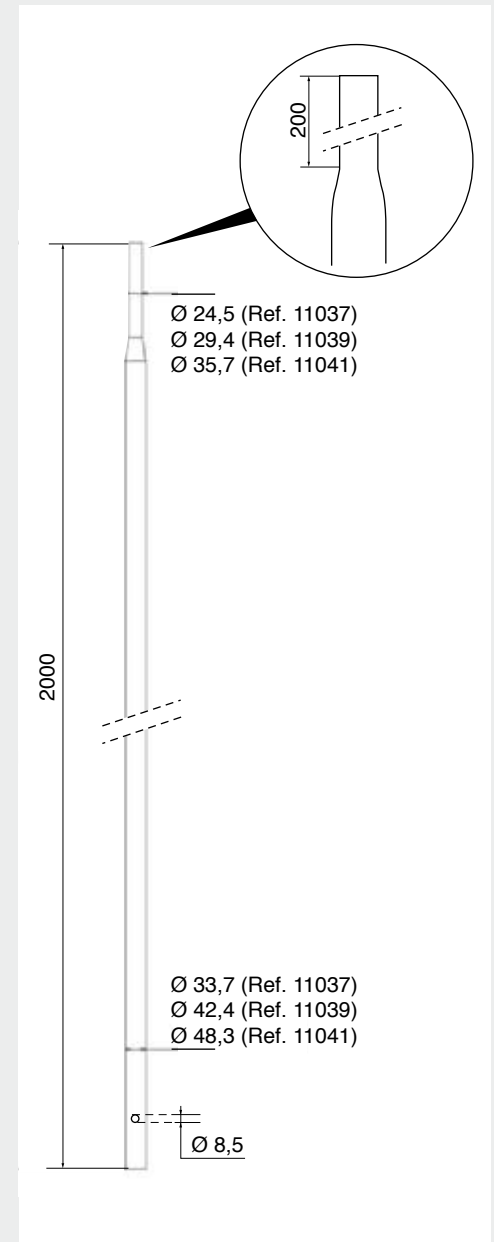
[Delivered with fixation collar in stainless steel at the bottom part.

[The masts are simply inserted and the stainless steel bolt screwed on the nut.

• 11037/11039/11041



Ref. 11037/11039/11041



| Ref | Designation | Material | Length | Diamètre extérieur | Weight |
|-------|-----------------------|-----------|--------|--------------------|--------|
| 11037 | 1 ^{er} mast | S/s 304 L | 2 m | 33,7 mm | 3 kg |
| 11039 | 2 ^{eme} mast | S/s 304 L | 2 m | 42,4 mm | 6 kg |
| 11041 | 3 ^{eme} mast | S/s 304 L | 2 m | 48,3 mm | 7 kg |

Their installations by superimposition on a 200 mm retraits with tightening by 304L stainless steel ring allows to reach the heights of:

Global set : 11037 = 2,03 m

Global set : 11037 + 11039 = 3,65 m

Global set : 11037 + 11039 + 11041 = 5,35 m

For greater height : Please consult us.

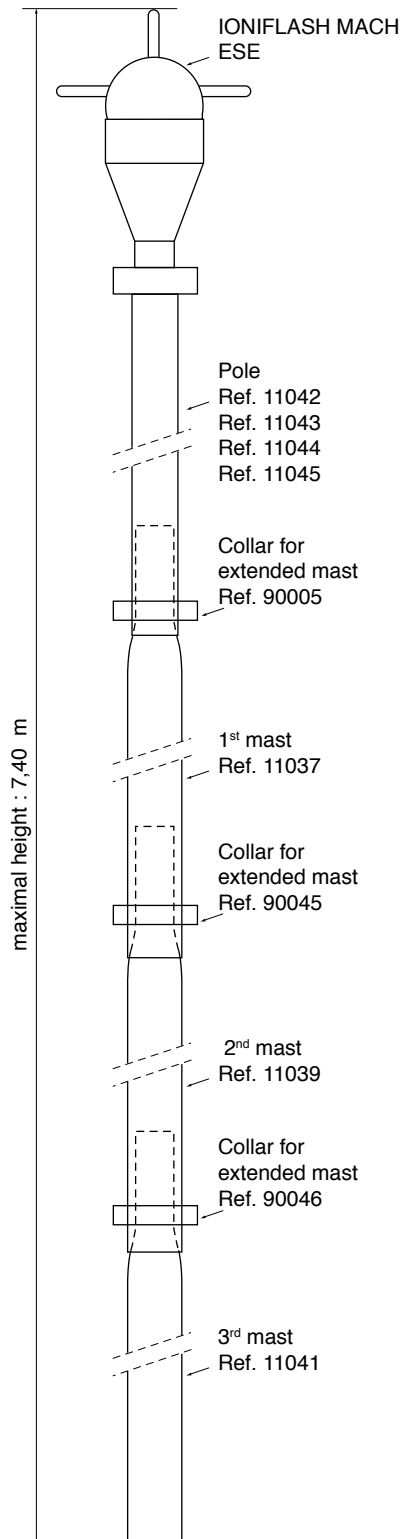
*Maximum height admitted : 8 m (guy wire needed).

For any height up than 8m : Installer's responsibility.

Our products / Protection against direct effects of lightning

> Brackets and fixings >

■ Principle of fitting of the mast



Our products / Protection against direct effects of lightning

> Brackets and fixings >

■ Guy wires kit

The guy wire kit enables to stabilize air-terminal when they are installed at such a high that the wind force can impact the efficiency of the system.

[This kit is composed of

- 1 guying plate in brass (diameter 35mm)
- 30 m of flexible cable in stainless steel 316L Ø 4mm
- 18 cable clamp in stainless steel (diameter 4mm)
- 3 rope tensioners (2 M8 hole – in stainless steel)
- 6 thimbles

This kit is adapted for the implementation of 3 guy wires of 10 meters.

• 18202



Our products / Protection against direct effects of lightning

> Brackets and fixings >

■ Capture point brackets (for Ref 17001/ 17002)

Brackets for capture point equipped with a waterproof ring. Points fixed in masonry or on a metal roof structure.

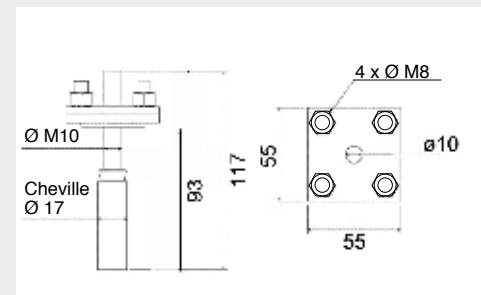
[The 17012 Reference is equipped with a lead ankle, and is so adapted to masonry.

[The 17013 reference is the ideal solution for fixing the capture point on metallic structure

● 17012



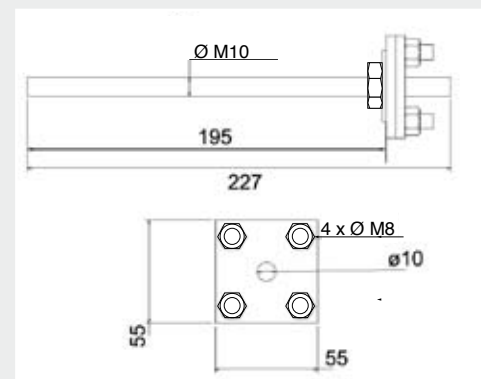
Ref. 17012



● 17013



Ref. 17013



| Ref | Material | Diameter | Weight | Delivered with |
|-------|--|----------|---------|--------------------|
| 17012 | Stainless Steel Tin-Plated Copper Plates | 93 mm | 0,41 kg | Lead ankle |
| 17013 | Stainless Steel Tin-Plated Copper Plates | 195 mm | 0,43 kg | Thread stalk + nut |

Our products / Protection against direct effects of lightning

> Brackets and fixings >

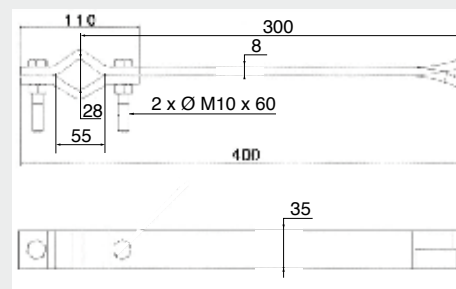
■ Embedding clamp

For fixing air terminals on masonry

- 12001/12002



Ref. 12001/12002



| Ref | Material | Profil shift | Height of support | Packaging | Weight |
|-------|------------------|--------------|-------------------|-----------|---------|
| 12001 | Galvanized Steel | 400 mm | < 4 m | 2 | 2,44 kg |
| 12002 | Galvanized Steel | 400 mm | < 8 m | 3 | 3,66 kg |

■ Universal clamp

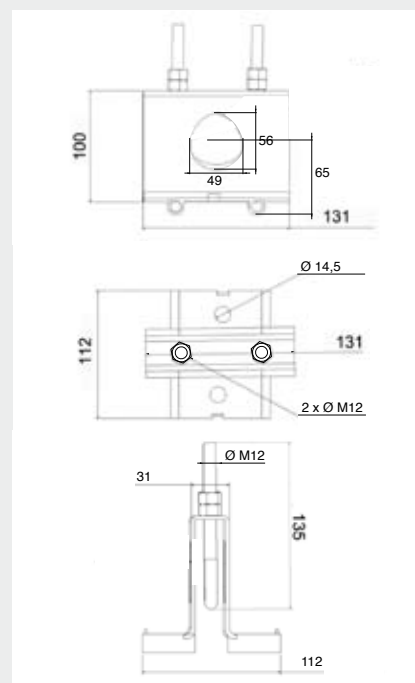
Universal clamp for fixing air terminal brackets on all types of elements.

[System adapts to all situations.

- 12006/12007



Ref. 12006/12007



| Ref | Matière | Profil shift | Height of support | Packaging | Weight |
|-------|------------------|--------------|-------------------|-----------|---------|
| 12006 | Galvanized Steel | 40 mm | < 4 m | 2 | 2,14 kg |
| 12007 | Galvanized Steel | 40 mm | < 8 m | 3 | 3,21 kg |

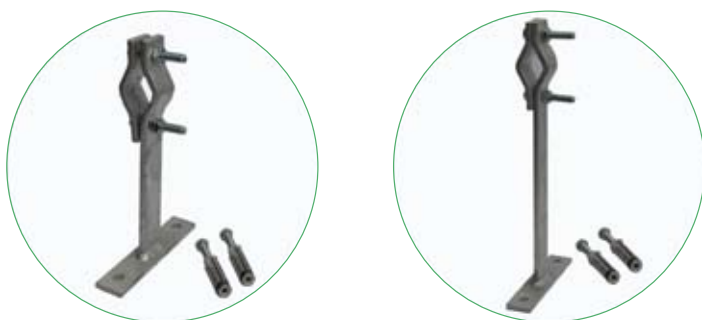
Our products / Protection against direct effects of lightning

> Brackets and fixings >

■ Bolting brackets

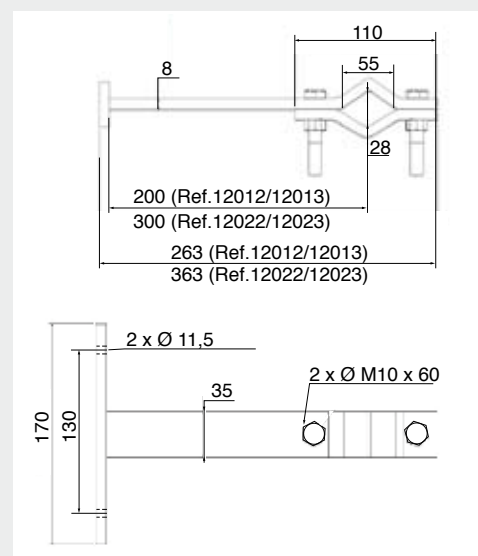
For fixing air terminals on masonry.

• 12012/12013/12022/12023



| Ref | Material | Profil shift | Height of support | Packaging | Weight |
|-------|------------------|--------------|-------------------|-----------|---------|
| 12012 | Galvanized Steel | 200 mm | < 4 m | 2 | 2,58 kg |
| 12013 | Galvanized Steel | 200 mm | < 8 m | 3 | 3,88 kg |
| 12022 | Galvanized Steel | 300 mm | < 4 m | 2 | 5 kg |
| 12023 | Galvanized Steel | 300 mm | < 8 m | 3 | 7,5 kg |

Ref. 12012/12013/12022/12023



■ Extended fixing brackets

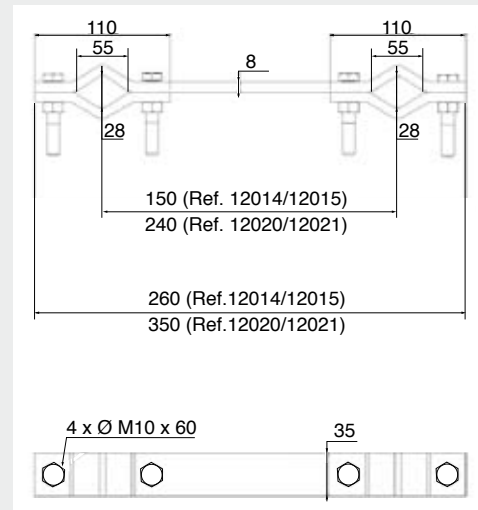
For fixing air terminals on round elements or on a surface which cannot be drilled.

• 12014/12015/12020/12021



| Ref | Material | Profil shift | Height of support | Packaging | Weight |
|-------|------------------|--------------|-------------------|-----------|---------|
| 12014 | Galvanized Steel | 150 mm | < 4 m | 2 | 2,50 kg |
| 12015 | Galvanized Steel | 150 mm | < 8 m | 3 | 3,75 kg |
| 12020 | Galvanized Steel | 240 mm | < 4 m | 2 | 3 kg |
| 12021 | Galvanized Steel | 240 mm | < 8 m | 3 | 4,5 kg |

Ref. 12014/12015/12020/12021



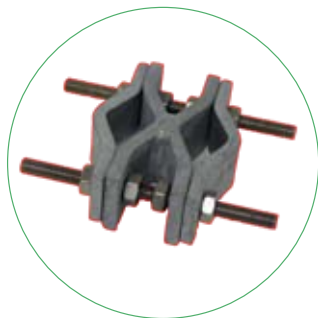
Our products / Protection against direct effects of lightning

> Brackets and fixings >

■ Lateral clamp

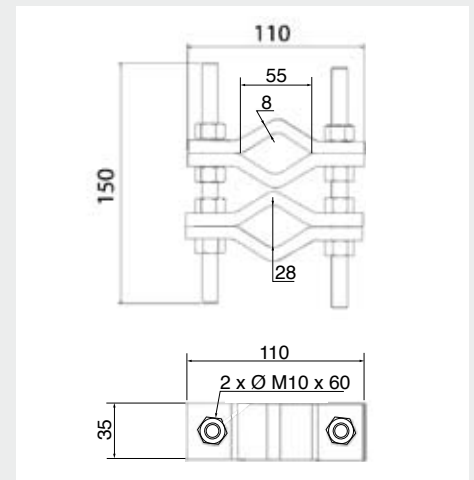
These lateral clamps are used to fix air terminals to round elements.

• 12016/12028



| Ref | Material | Profil shift | Height of support | Packaging | Weight |
|-------|------------------|--------------|-------------------|-----------|---------|
| 12016 | Galvanized Steel | 150 mm | < 4 m | 2 | 2,50 kg |
| 12028 | Galvanized Steel | 150 mm | < 8 m | 3 | 3,75 kg |

Ref. 12016/12028



■ Lateral clamp

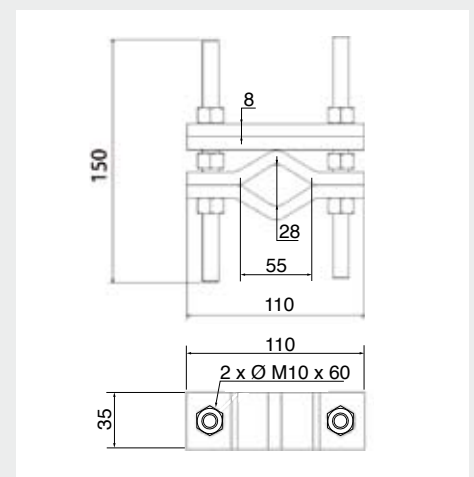
These lateral clamps are used to fix air terminals to flat elements.

• 12026/12027



| Ref | Material | Profil shift | Height of support | Packaging | Weight |
|-------|------------------|--------------|-------------------|-----------|---------|
| 12026 | Galvanized Steel | 150 mm | < 4 m | 2 | 2,44 kg |
| 12027 | Galvanized Steel | 150 mm | < 8 m | 3 | 3,65 kg |

Ref. 12026/12027



Our products / Protection against direct effects of lightning

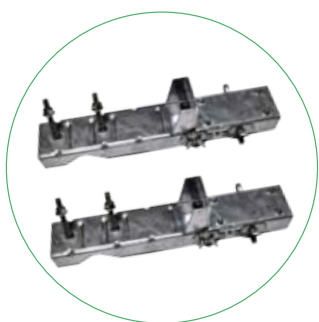
> Brackets and fixings >

■ Hooping of chimney

This is a kit of 2 chimney hooping system for a height < 4m in galvanized steel

- 12003/12004

Ref. 12003/ 12004



| Ref | Material | Profile shift | Height of the support | Packaging | Weight |
|-------|------------------|---------------|-----------------------|-----------|--------|
| 12003 | Galvanized steel | 320 mm | < 4 m | 2 | 1,8 kg |
| 12004 | Galvanized steel | 320 mm | < 8 m | 3 | 2,7 kg |

Our products / Protection against direct effects of lightning

> Brackets and fixings >

■ Tripod

Fixing Air terminals on flat roofs. Bolted tripod or stand alone version.

[Available in bolted or freestanding version.(on request)

• 12017

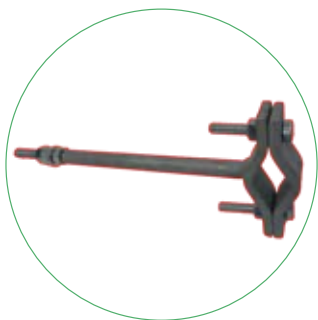


| Ref | Designation | Material | Footing | Air-terminal maximum height | Weight |
|-------|---------------|------------|---------|-----------------------------|--------|
| 12017 | Bolted Tripod | Galvanized | 0,75 m | 8 | 9 kg |

■ Screwing clamp

Fixing brackets for air terminals directly into masonry.

• 12018/12019

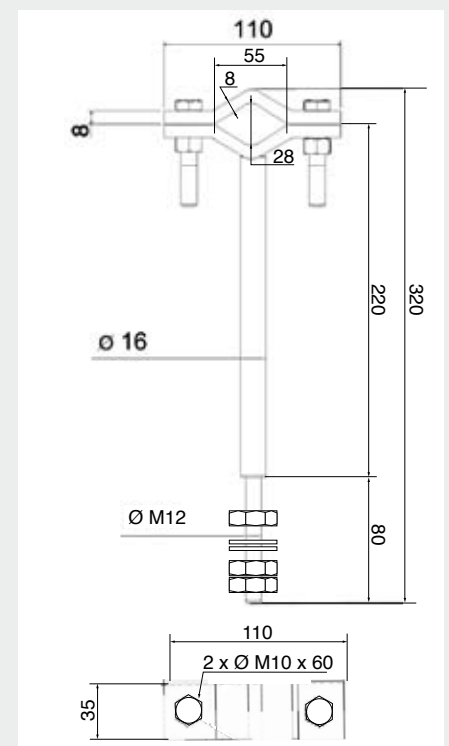


| Ref | Material | Profil shift | Height of support | Packaging | Weight |
|-------|------------------|--------------|-------------------|-----------|---------|
| 12018 | Galvanized Steel | 200 mm | < 4 m | 2 | 1,96 kg |
| 12019 | Galvanized Steel | 200 mm | < 8 m | 3 | 2,94 kg |



available on request

Ref. 12018/12019



Our products / Protection against direct effects of lightning

> Brackets and fixings >

■ Waterproofing

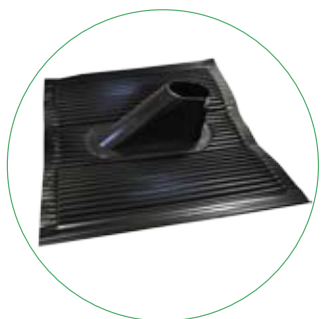
Waterproofing when the Air terminal pole is fixed through a roof.

[The tile must be installed with the cone, delivered with a cone. (réf. 12114)

[Cone can be delivered independently (Ref 80087)

• 12114/80087

Ref. 12114/80087



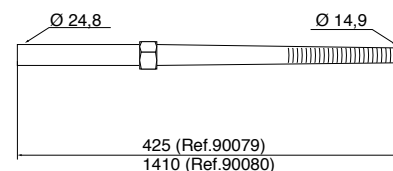
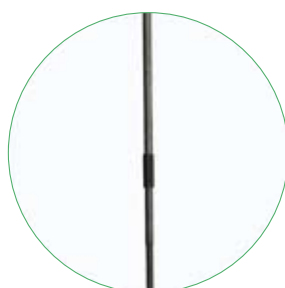
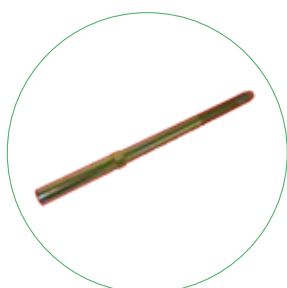
| Ref | Designation | Material | Dimensions | Weight |
|-------|-----------------|--------------|--------------------|---------|
| 12114 | Waterproof tile | Polyethylene | 550 x 500 x 190 mm | 0,56 kg |
| 80087 | Waterproof cone | Polyethylene | 120 x 120 x 70 mm | 0,03 kg |

■ Anchor bolt

These anchor bolts are used to fix Air Terminals directly on wood frames.

• 90079/90080

Ref. 90079/90080



| Ref | Material | Length | Upper diameter | Weight |
|-------|-------------------|---------|----------------|--------|
| 90079 | Bichromated steel | 0,425 m | 24,8 mm | 1,5 kg |
| 90080 | Bichromated steel | 1,41 m | 24,8 mm | 5,5 kg |

Our products / Protection against direct effects of lightning

> Lightning Conductors >

■ Flat copper

Copper strips for use as down-conductors for earthing systems of Air Terminals

- **13001/13011**

Ref. 13001/13011



| Ref | Material | Width | Thickness | Packaging | Weight |
|-------|------------------|-------|-----------|-----------|-------------|
| 13001 | Tinplated copper | 30 mm | 2 mm | 50 m roll | 0,534 kg /m |
| 13011 | Copper | 30 mm | 2 mm | 88m roll | 0,534 kg /m |

■ Aluminum

Aluminum strips for use as down-conductors for earthing of Air Terminals.

- **13002**

Ref. 13002



| Ref | Material | Width | Thickness | Packaging | Weight |
|-------|----------|-------|-----------|-----------|-------------|
| 13002 | Aluminum | 30 mm | 3 mm | 50 m roll | 0,244 kg /m |

Our products / Protection against direct effects of lightning

> Lightning Conductors >

■ Round copper

Round copper section which can be used as a down-conductor or for earthing Air Terminals.

- 13003

Ref. 13003



| Ref | Material | Diameter | Packaging | Weight |
|-------|------------------|----------|-----------|------------|
| 13003 | Tinplated copper | 8 mm | 55 m roll | 0,45 kg /m |

■ Flat Steel

Steel strips for use as down-conductors for earthing of Air terminals.

- 13004/13010

Ref. 13004/13010



| Ref | Material | Width | Thickness | Packaging | Weight |
|-------|------------------|-------|-----------|-----------|-------------|
| 13004 | S/s 304 L | 30 mm | 2 mm | 50 m roll | 0,50 kg /m |
| 13010 | Galvanized Steel | 30 mm | 3,5 mm | 30 m roll | 0,833 kg /m |

Our products / Protection against direct effects of lightning

> Lightning Conductors >

■ Elbow preformed

90° Preformed Elbow for down conductor. Tinplated copper plate 30 x 2 mm.

- 13006

Ref. 13006



| Ref | Material | Width | Thickness | Weight |
|-------|------------------|-------|-----------|------------|
| 13006 | Tinplated copper | 30 mm | 2 mm | 0,32 kg /m |

■ Stranded copper

Copper cable for use as an earthing conductor.

[Available in two sections : 25 ou 50 mm²

- 13007/60014

Ref. 13007/60014



| Ref | Material | Section | Diameter | Packaging | Weight |
|-------|----------|--------------------|----------|-----------|------------|
| 13007 | Copper | 50 mm ² | 16 mm | 50 m roll | 0,44 kg /m |
| 60014 | Copper | 25 mm ² | 8 mm | 50 m roll | 0,23 kg /m |

Our products / Protection against direct effects of lightning

> Conductors fixings >

■ Clamps for masonry

For fixing conductors on stone or any other type of masonry.

[These clamps are fixed with special masonry lead peg (ref. 14004)
(See accessories)]

• 14001/14003/14005/14008



| Ref | Designation | Material | Length | Weight | To use with |
|-------|-------------|------------------|--------|--------|------------------------------|
| 14001 | Clamp 30 | Galvanized Steel | 30 mm | 25 g | Plate 30 x 2 mm ² |
| 14003 | Clamp 50 | Galvanized Steel | 50 mm | 17 g | Plate 30 x 2 mm ² |
| 14005 | Clamp 30i | S/s 304L | 30 mm | 16 g | Plate 30 x 2 mm ² |
| 14008 | Clamp r8 | Copper | 37 mm | 8 g | 8 mm round |

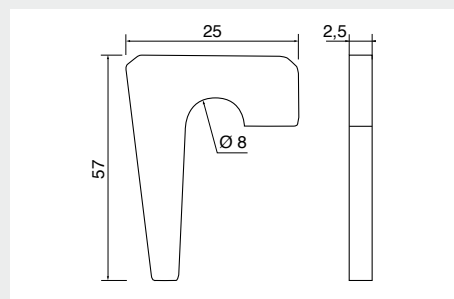
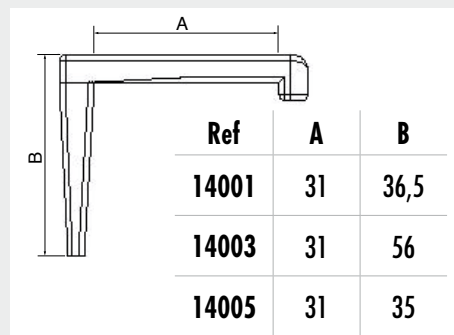
■ Masonry lead peg for brickdownm clamp

For brickwork clamp. Ref. 14001 / 14003 / 14005

• 14004

| Ref | Material | Weight |
|-------|----------|--------|
| 14004 | Lead | 6,2 g |

Ref. 14001/14003/14005/14008



Ref. 14004



Our products / Protection against direct effects of lightning

> Conductors fixings >

■ Clamps for masonry

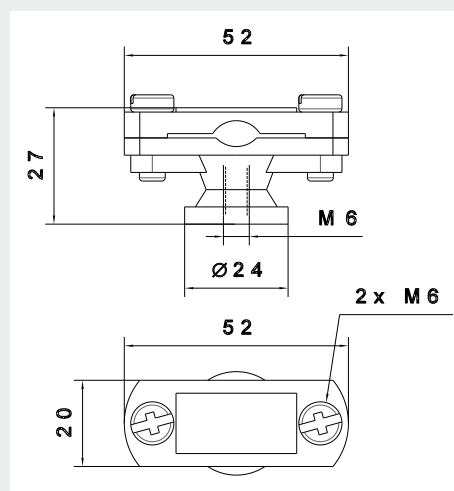
Plastic collar for fixing flat conductors on stone or any type of masonry. Conductors insulated from their support.

- 14021



| Ref | Designation | Material | Dimensions | Weight |
|-------|----------------|----------|-----------------|--------|
| 14021 | Plastic collar | Plastic | 52 x 20 x 27 mm | 25 g |

Ref. 14021



■ Clamps for roof

Fixing of down-conductors on all types of roof.

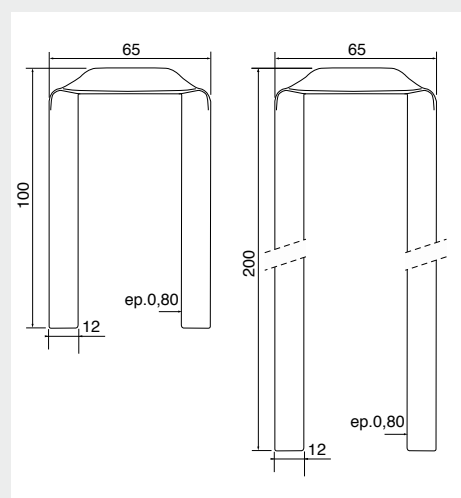
[Such as : tile, slate, stone,....

- 14006/14007



| Ref | Designation | Material | Length | Weight | To use with |
|-------|-------------|------------------|--------|--------|-----------------|
| 14006 | Staple 100 | Tinplated copper | 100 mm | 22 g | Plate conductor |
| 14007 | Staple 200 | Tinplated copper | 200 mm | 40 g | Plate conductor |

Ref. 14006/14007



Our products / Protection against direct effects of lightning

> Conductors fixings >

■ Clamps for roof

Fixing of down-conductors on all types of roof.

[Such as : tile, slate, stone,....

• 14034/14000

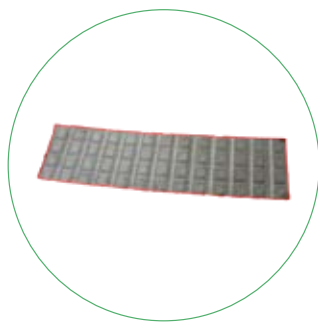


| Ref | Designation | Material | Length | Weight | To use with |
|-------|-----------------|------------------|--------|--------|--------------------------|
| 14034 | Fastening strap | Copper | 100 mm | 54 g | Plate or round conductor |
| 14000 | Rein for slate | Tinplated copper | 200 mm | 58 g | Plate conductor |

■ Straps ride

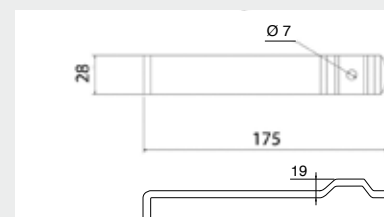
For fixing flat conductors. Protects the conductor against damage

• 14010/14009

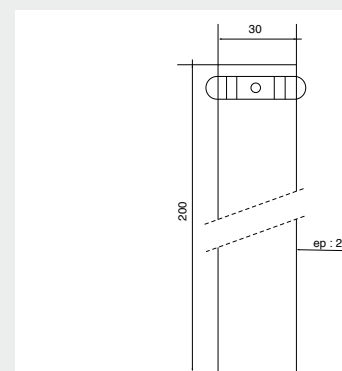


| Ref | Designation | Matière | Dimensions | Poids | A utiliser avec |
|-------|-------------------------|------------------|-------------|-------|-----------------|
| 14010 | Ruberalu | Ruberalu | 170 x 45 mm | 35 g | Rivets |
| 14009 | Riveted or welded strap | Tinplated Copper | 60 x 12 mm | 3g | 14012 or 14013 |

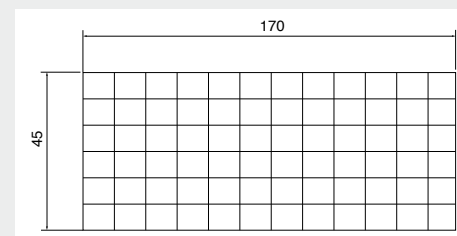
Ref. 14034



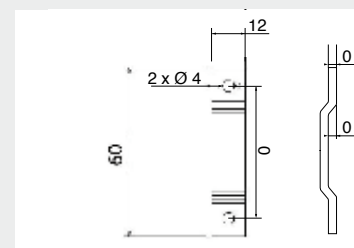
Ref. 14000



Ref. 14010



Ref. 14009



Our products / Protection against direct effects of lightning

> Conductors fixings >

■ Blind Pop rivets

Rivets to fix the fastening component range.

- 14011/14012/14013



Ref. 14011/14012/14013

| Ref | Désignation | Material | Length | Weight |
|-------|----------------------|-----------|--------|--------|
| 14011 | Rivet Alu Waterproof | Aluminium | 9,5mm | 1g |
| 14012 | Rivet Cu9 Waterproof | Copper | 9,5mm | 2,3g |
| 14013 | Rivet Cu16 | Copper | 16mm | 3g |

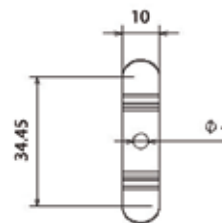
■ Metal sheet fixations - Clips

For fixing flat conductors on sheet metal
"Quick and no-return function".

- 14015



Ref. 14015



| Ref | Désignation | Material | Dimensions | Weight | To use with |
|-------|----------------------|-----------|------------|--------|----------------|
| 14015 | Stainless Steel clip | S/s 304 L | 35 x 10 mm | 3 g | 14012 or 14013 |

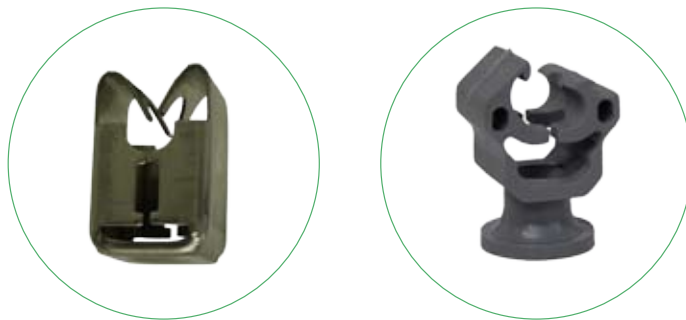
Our products / Protection against direct effects of lightning

> Conductors fixings >

■ Fixations for round conductors

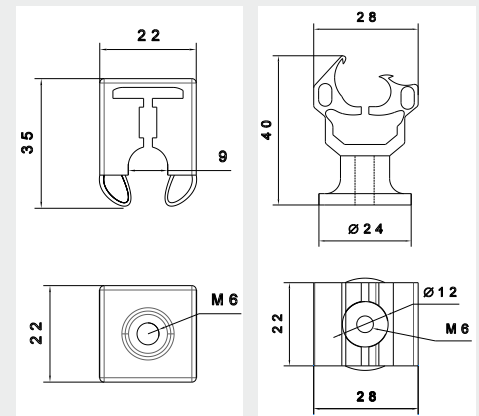
Fixing round, 8 mm diameter conductors. Delivered with stainless steel screw.

- 14031/14033



| Ref | Designation | Material | Dimensions | Weight |
|-------|----------------------|-----------------|-----------------|--------|
| 14031 | Stainless steel clip | Stainless Steel | 20 x 22 x 35 mm | 25 g |
| 14033 | Locking clip | Plastic | 20 x 22 x 35 mm | 16 g |

Ref. 14031/14033



■ Swivel orientable

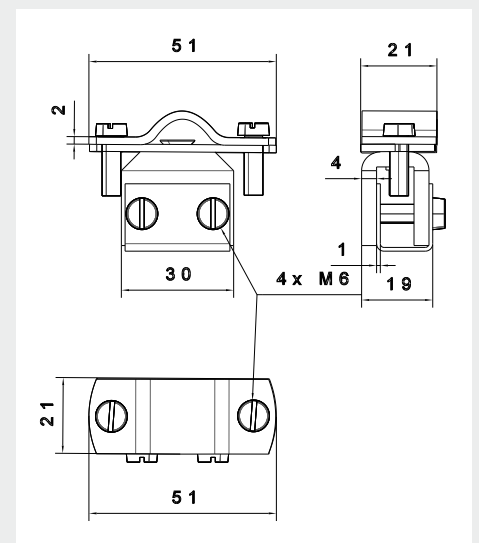
Fasteners which can be swivelled for any type of conductor on roof frames.

- 14041



| Ref | Designation | Material | Dimensions | Weight |
|-------|-----------------|------------------|-----------------|--------|
| 14041 | Swivel fastener | Galvanized Steel | 51 x 21 x 38 mm | 110 g |

Ref. 14041



Our products / Protection against direct effects of lightning

> Conductors fixings >

■ Ridge

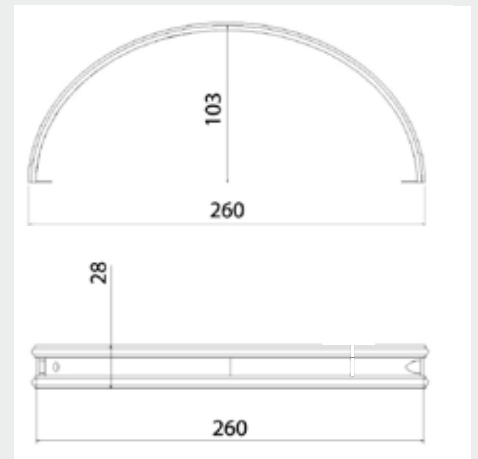
Adjustable fixing of round or flat conductors on ridges.

• 14042



| Ref | Designation | Material | To use with | Weight |
|-------|----------------|-----------------|--|--------|
| 14042 | Ridge fastener | Stainless Steel | 14021 for tape 14031 or 14033 for round | 195 g |

Ref. 14042



■ Stands off

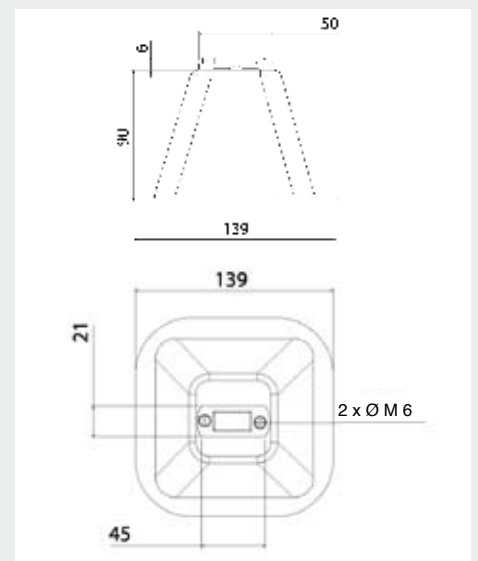
Fixing flat or round conductors on flat waterproof roofs.

• 14044s



| Ref | Désignation | Material | Height | Weight |
|--------|-------------------------|--------------------|--------|--------|
| 14044s | Plastic stand with base | Plastic + concrete | 90 mm | 1 kg |
| 80044 | Plastic stand (empty) | Plastic | 90 mm | 82g |

Ref. 14044s



Our products / Protection against direct effects of lightning

> Conductors fixings >

■ Gutter

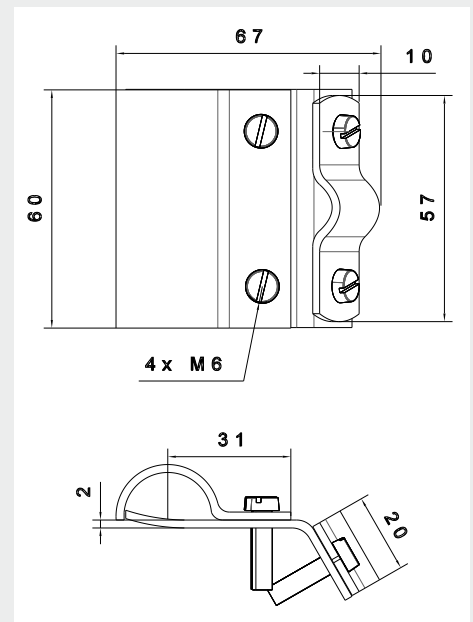
Quick fixing of flat or round down-conductors on gutters.

- 14045

| Ref | Designation | Material | Weight |
|-------|--------------|------------------|--------|
| 14045 | Gutter clamp | Galvanized Steel | 195 g |



Ref. 14045



Our products / Protection against direct effects of lightning

> Conductors interconnection >

■ Join

Connection Flat/Flat :
to assemble two flat conductors.

Connection Flat/Round :
to assemble a flat conductor to a round conductor.

Connection Round/Round :
to assemble two round conductors

• 15101/15102/15103/15104/15108/15109



Ref. 15101



Ref. 15102



Ref. 15103



Ref. 15104

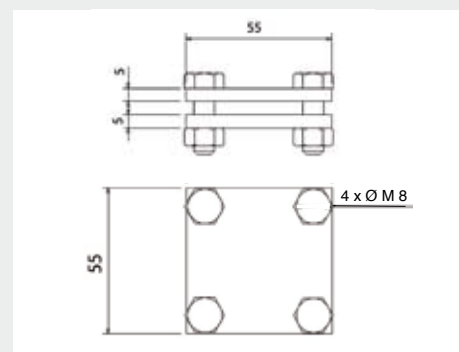


Ref. 15108

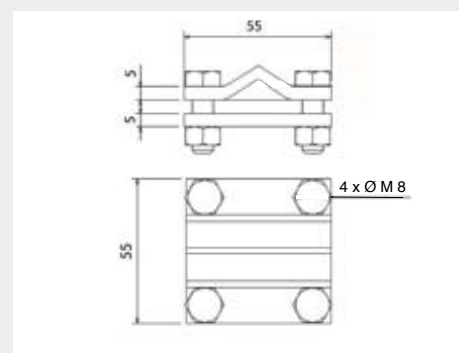


Ref. 15109

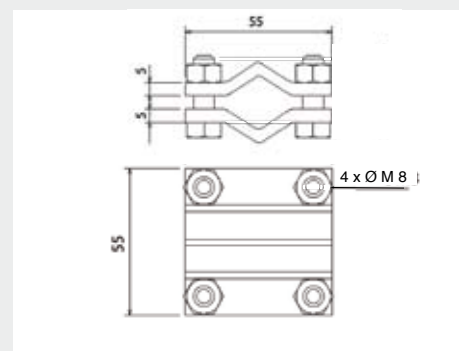
Ref. 15101/15102



Ref. 15103/15104



Ref. 15108/15109



| Ref | Designation | Material | Dimensions | Weight |
|-------|---------------|------------------|------------|--------|
| 15101 | Plate / Plate | Tinplated copper | 55 x 55 mm | 330 g |
| 15102 | Plate / Plate | Copper | 55 x 55 mm | 330 g |
| 15103 | Plate / round | Tinplated copper | 55 x 55 mm | 330 g |
| 15104 | Plate / round | Copper | 55 x 55 mm | 330 g |
| 15108 | Round / round | Copper | 55 x 55 mm | 330 g |
| 15109 | Round / Round | Tinplated copper | 55 x 55 mm | 330 g |

Our products / Protection against direct effects of lightning

> Conductors interconnection

■ Join

Connection Flat/Flat :
to assemble two flat conductors.

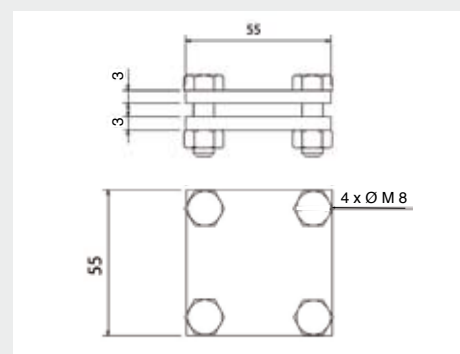
Connection Flat/Round :
to assemble a flat conductor to a round conductor.

Connection Round/Round :
to assemble two round conductors

• 15110



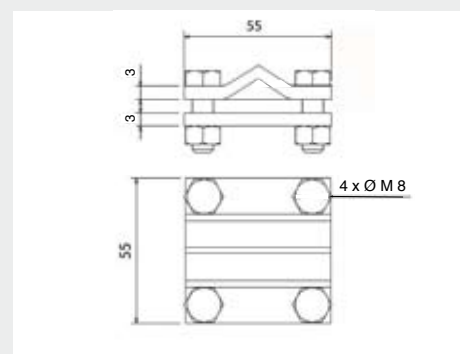
Ref. 15110



• 15111



Ref. 15111



| Ref | Designation | Material | Dimensions | Weight |
|-------|---------------|-----------|------------|--------|
| 15110 | Plate / Plate | S/s 304 L | 55 x 55 mm | 330 g |
| 15111 | Plate / Round | S/s 304 L | 55 x 55 mm | 330 g |

Our products / Protection against direct effects of lightning

> Conductors interconnection

■ Connecting collar

Collar connection to fix strip or round sections to the air terminal support (pole or mast).

• 15301/15305/15305



Ref. 15301



Ref. 15303



Ref. 15305

| Ref | Designation | Material | Dimensions |
|-------|-------------------|------------------|------------|
| 15301 | Connection collar | Tinplated copper | 58 x 55 mm |
| 15303 | Connection collar | Copper | 58 x 55 mm |
| 15305 | Connection collar | Stainless Steel | 58 x 55 mm |

• 15302/15306



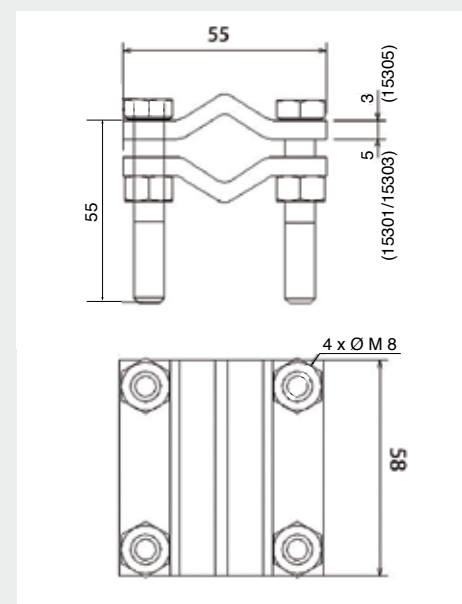
Ref. 15302



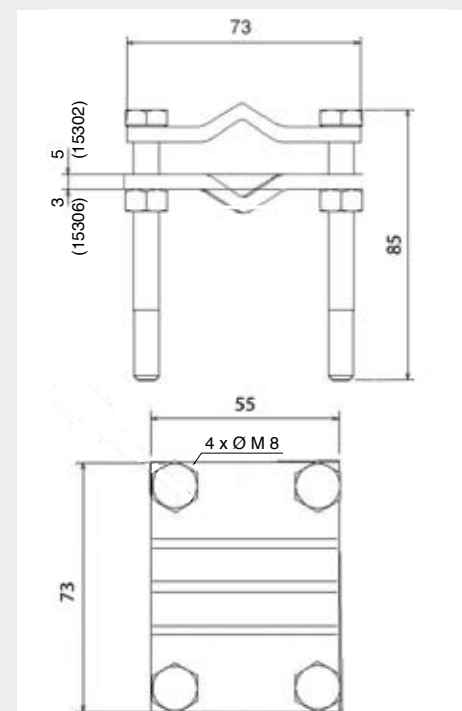
Ref. 15306

| Ref | Designation | Material | Dimensions |
|-------|-------------------|------------------|------------|
| 15302 | Connection collar | Tinplated copper | 73 x 55 mm |
| 15306 | Connection collar | Stainless Steel | 73 x 55 mm |

Ref. 15301/15303/15305



Ref. 15302/15306



Our products / Protection against direct effects of lightning

> Earthing system >

■ Inspection joint

Disconnection between the down-conductor and the earth to check the resistance of earthing.

• 16001



| Ref | Designation | Material | Dimensions | Weight |
|-------|------------------|-----------------|------------|--------|
| 16001 | Inspection joint | Tinplated brass | 55 x 70 mm | 320 g |

■ Protection sheath

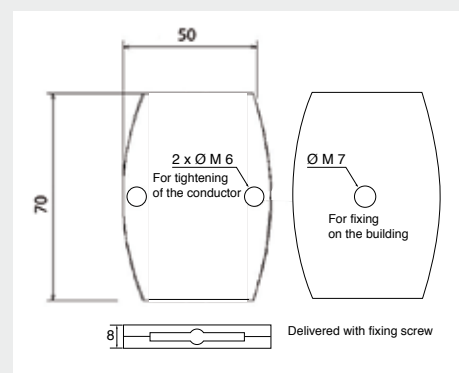
Mechanical protection of flat or round conductors for down-conductors
Supplied with 3 fixation collars in stainless steel

• 16003/16007

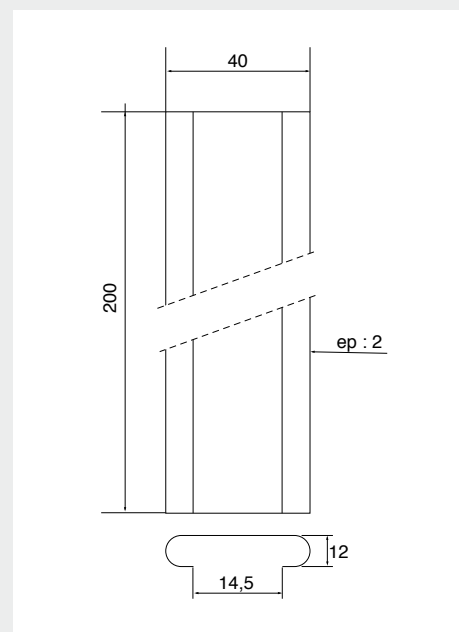


| Ref | Designation | Material | Length | Weight |
|-------|-------------|----------|--------|--------|
| 16003 | 304L Sheath | S/s 304L | 2 m | 840 g |
| 16007 | 316L sheath | S/s 316L | 2 m | 840 g |

Ref. 16001



Ref. 16003/16007



Our products / Protection against direct effects of lightning

> Earthing system >

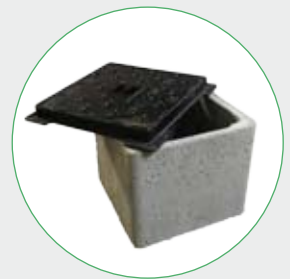
■ Inspection pits

Protected access to the earthing system of lightning protection

- 16004/80136/80137

Ref. 16004/80136/80137

| Ref | Désignation | Material | Dimensions | Weight |
|-------|-------------------------|-----------------|-----------------|--------|
| 16004 | Plastic inspection pit | PVC | 18 x 9 cm | 430 g |
| 80136 | Concrete inspection pit | Concrete base | 25 x 25 x 25 cm | 14 kg |
| 80137 | Concrete inspection pit | Cast iron cover | 31 x 31 x 3 cm | 5 kg |



■ Earth connectors

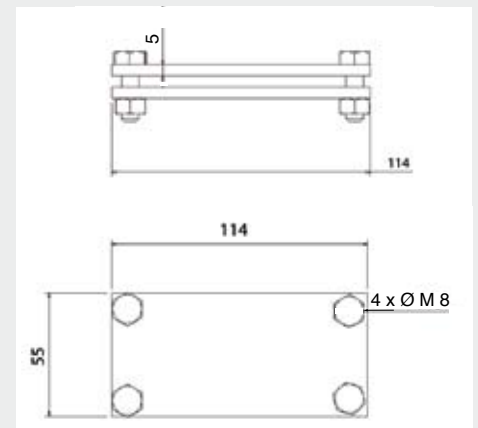
Connector for several earthing conductors, for "crow-foot" branched earth. Only for plate conductors.

- 16005

Ref. 16005



| Ref | Designation | Material | Dimensions | Weight |
|-------|--------------------------------|----------|-----------------|--------|
| 16005 | Crow's foot branched connector | Copper | 114 x 55 x 5 mm | 600 g |



Our products / Protection against direct effects of lightning

> Earthing system >

■ Signaling plate

Signalling plate indicating presence of Air Terminal earthing
(Supplied with ankles and screw)

- 16006/16008/16009

| Ref | Designation | Material | dimensions | Weight |
|-------|---------------------------------|-----------|-------------|--------|
| 16006 | Signaling plate Earth | Aluminium | 10 x 8,5 cm | 20 g |
| 16008 | Signaling plate Danger (grey) | Aluminium | 11 x 16 cm | 63 g |
| 16009 | Signaling plate Danger (yellow) | Aluminium | 11 x 16 cm | 63 g |

Ref. 16006/16008/16009



■ Earth rod

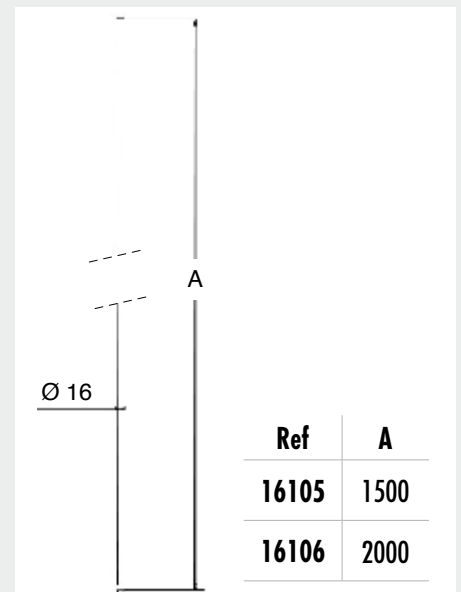
To make in-depth earthing systems

- 16105/16106



| Ref | Designation | Material | Diameter | Length | Weight |
|-------|---------------|-----------------|----------|--------|--------|
| 16105 | Earth rod 150 | Stainless Steel | 16 mm | 1,5 m | 2,1 kg |
| 16106 | Earth rod 200 | Stainless Steel | 16 mm | 2 m | 3,2 kg |

Ref. 16105/16106



Our products / Protection against direct effects of lightning

> Earthing system >

■ Coupling sleeve

Coupling sleeve to join two earth rods
Driving tip to insert rod without damaging it

• 16113/16133



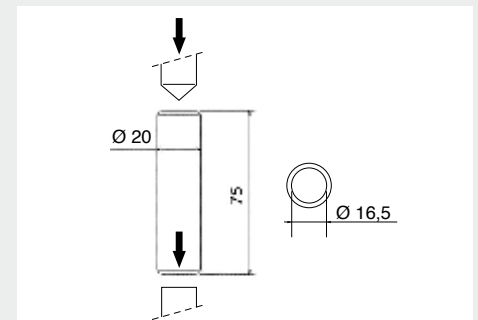
Ref. 16113



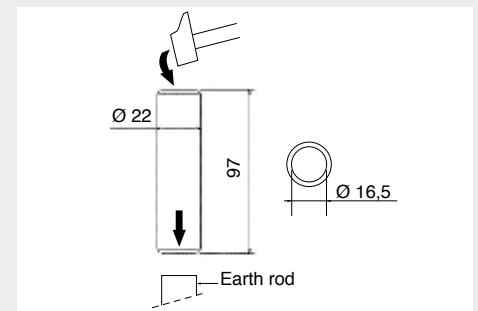
Ref. 16133

| Ref | Designation | Material | dimensions | Weight |
|-------|-----------------|-----------------|------------|--------|
| 16113 | Coupling sleeve | Stainless Steel | 20 x 75 mm | 100 g |
| 16133 | Driving tip | Steel | 22 x 97 mm | 170 g |

Ref. 16113



Ref. 16133



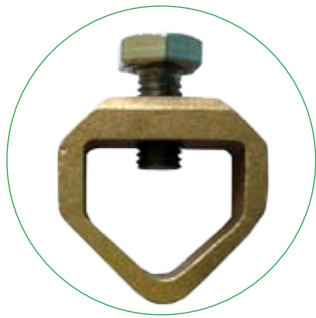
■ Rod connecting collar

These rod connecting collars are used to connect the down-conductor of the Air terminal to the earth rods

• 16121/16126



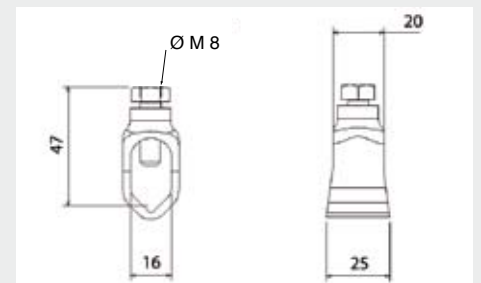
Ref. 16121



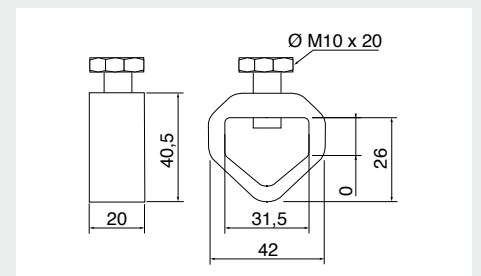
Ref. 16126

| Ref | Designation | Material | Dimensions | To use with | Weight |
|-------|----------------|----------|------------|-----------------|--------|
| 16121 | Round collar | Brass | 40 x 22 mm | Round conductor | 76 g |
| 16126 | Round collar 2 | Brass | 40 x 22 mm | Plate conductor | 120 g |

Ref. 16121



Ref. 16126



Our products / Protection against direct effects of lightning

> Earthing system >

■ Rod connection collar

- 16124/16125

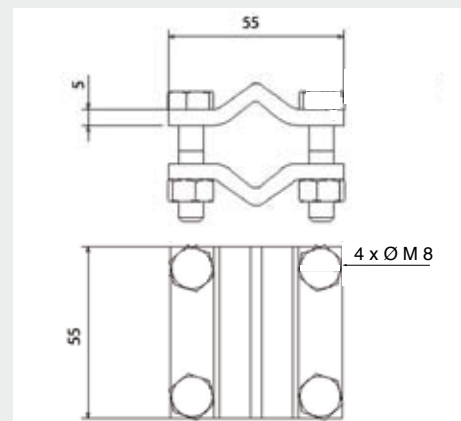


Ref. 16124

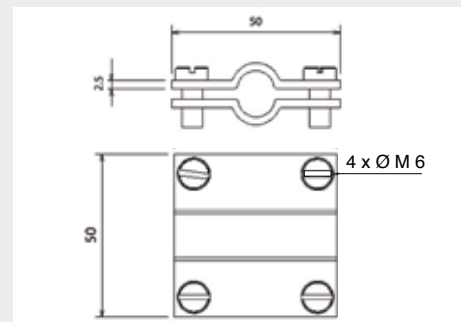


Ref. 16125

Ref. 16124



Ref. 16125

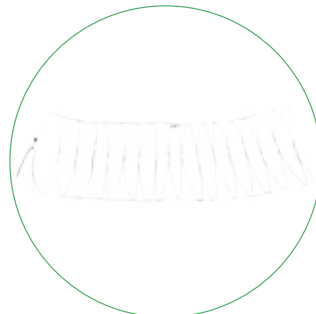
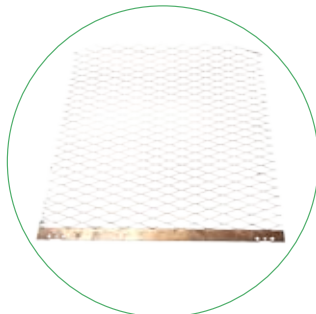


| Ref | Designation | Material | Dimensions | To use with | Weight |
|-------|----------------|----------|------------|-----------------|--------|
| 16124 | Plate collar | Copper | 55 x 55 mm | Plate conductor | 350 g |
| 16125 | Plate collar 2 | Copper | 50 x 50 mm | Plate conductor | 140 g |

■ Earthing mesh

Copper earthing mesh enabling better distribution of lightning current.

- 16150/16151



Ref. 16150/16151

| Ref | Designation | Material | dimensions | Weight |
|-------|-------------|----------|--------------|--------|
| 16150 | Square | Copper | 1 x 1 m | 4 kg |
| 16151 | Expanded | Copper | 1,4 x 0,45 m | 1,5 kg |

Our products / Protection against direct effects of lightning

> Earthing system >

■ Enhancing compound

TERRAGONIX ADVANTAGES :

- Permanent contact with the earth conductor
- Expansion of granules all around the conductor
- No alteration of earth resistance value. The water streaming won't damage the earth system
- Great stability of the earth value

• 16202

| Ref | Designation | Material | Weight |
|-------|-------------|--------------------|--------|
| 16202 | Terragonix | Bucket of granules | 20 kg |

Improves ground resistance and therefore significantly improves the resistance values of the earthing system.

Very easy to use. (granules / expansion)
Ideal solution for hard soil (sands, rocks, ...)

Agreed Product. No pollution of the soil.

Ref. 16202



Our products / Protection against direct effects of lightning

> Equipotentiality connection

■ Shunt and braid

Equipotentiality connections between the Air terminal conductor and nearby metallic parts or between various metal elements.

• 13005/13009

| Ref | Material | dimensions | Packaging | Weight |
|-------|------------------|-------------|--------------|---------|
| 13005 | Tinplated copper | 30 x 3,5 mm | Per meter | 0,47 kg |
| 13009 | Tinplated copper | 30 x 3,5 mm | Shunt (50cm) | 0,26 kg |

Ref. 13005/13009



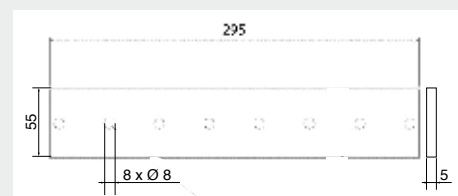
■ Equipotentiality bars

Earthing interconnections.
Allows disconnection for separate earthing measurements.

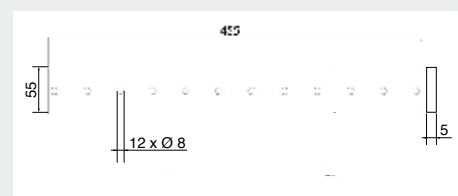
• 16143/16144



Ref. 16143



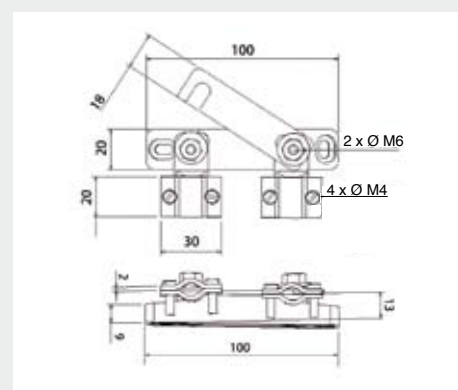
Ref. 16144



• 80020



Ref. 80020



| Ref | Designation | Material | Length | Weight |
|-------|---------------------------|------------------|--------|--------|
| 16143 | Equipotentiality 6 holes | Copper | 295 mm | 800 g |
| 16144 | Equipotentiality 10 holes | Copper | 455 mm | 1,2 kg |
| 80020 | Earth cut | Copper / plastic | 100 mm | 120 g |

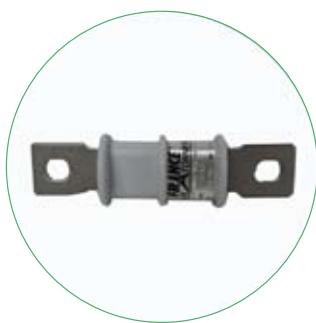
Our products / Protection against direct effects of lightning

> Equipotentiality connection >

■ Spark gap

Equipotentiality spark gaps to secure the balance of equipment potentials, the metallic structure and flow of static loads. Surge divesters ensure both balance of potentials on equipment and metal structures and absorption of electrostatic discharge. For instance on roof support, pipelines, protection of insulation joints...

• 23503/20002



| Ref | Name | Nominal voltage | Nominal discharge current | Maximal discharge current | Weight |
|--------------|----------------------------|-----------------|---------------------------|---------------------------|--------|
| 23503 | Equipotentiality spark gap | 350 V | 10 kA | 25 kA | 530 g |
| 20002 | Antenna surge arrester | 200 VDC | 25 kA | 25 kA | 120 g |

Our Products for the indirect lightning Protection



Our Products for the indirect lightning protection

> Class I Surge Protective Devices >

■ 1 pole SPD – 25 kA to 50 kA

High impulsed current: 25 kA, 35 kA and 50 kA.

Direct and indirect protection of 1 and 3-phase power supply network installations for areas with high risk of lightning strikes (high keraunic level).

Equipped with a remote and optical fault indicator contact.

• 23105/23106

| Ref | Module | Max voltage U_c | Impulse discharge current I_{imp} | Nominal discharge current I_n | Level of protection under U_p sous I_n | Equipped with a remote fault indicator contact |
|-------|--------|-------------------|-------------------------------------|---------------------------------|--|--|
| 23105 | 2 | 440 VAC | 25 kA | 25 kA | 2 kV | Yes |
| 23106 | 2 | 335 VAC | 25 kA | 25 kA | 1,3 kV | Yes |

■ Monobloc SPD – 25 kA

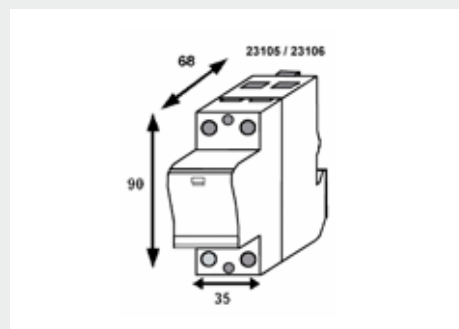
High impulsed current: 25 kA.

Direct and indirect protection of 1 and 3-phase power supply network installations for areas with high risk of lightning strikes (high keraunic level).

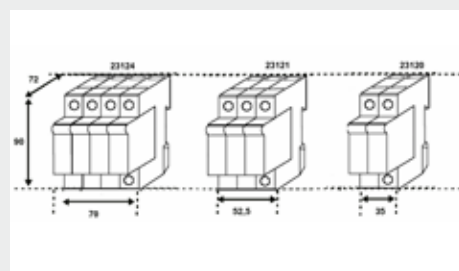
Equipped with a remote and optical fault indicator contact.

• 23120/23121/23122/23123/23124

| Ref | Module | Max voltage U_c | Impulse discharge current I_{imp} | Nominal discharge current I_n | Level of protection under U_p sous I_n | Equipped with a remote fault indicator contact |
|-------|-----------|-------------------|-------------------------------------|---------------------------------|--|--|
| 23120 | 2 L + N | 335 VAC | 25 kA | 25 kA | 1,3 kV | Yes |
| 23121 | 3 3*L | 335 VAC | 25 kA | 25 kA | 1,4 kV | Yes |
| 23122 | 8 3*L | 440 VAC | 25 kA | 25 kA | 2,2 kV | Yes |
| 23123 | 8 3*L + N | 440 VAC | 25 kA | 25 kA | 2,2 kV | Yes |
| 23124 | 4 3*L + N | 335 VAC | 25 kA | 25 kA | 1,4 kV | Yes |



Ref. 23105/23106



Ref. 23120/23121/23122/23123/23124

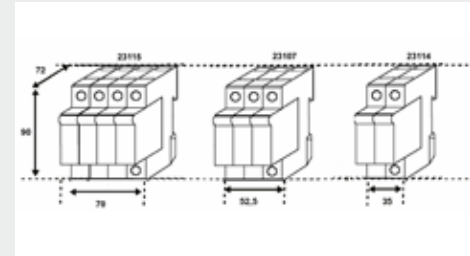


Our Products for the indirect lightning protection

> Class I Surge Protective Devices >

■ Monobloc SPD diff – 25 kA and 12,5 kA

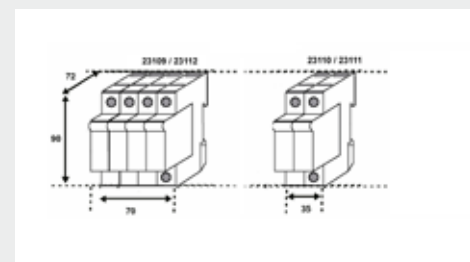
High ans standard impulsed current: 25 kA and 12,5 kA.
 Direct and indirect protection of 1 and 3-phase power supply network installations for areas with high risk of lightning strikes (high keraunic level).
 Equipped with a remote and optical fault indicator contact.



Ref. 23107/23108/23114/23115

• 23107/23108/23114/23115

| Ref | Module | Max voltage U_c | Impulse discharge current I_{imp} | Nominal discharge current I_n | Level of protection U_p under I_n | Equip- ped with a remote fault in- dicator contact |
|-------|-----------------|-------------------|-------------------------------------|---------------------------------|---------------------------------------|--|
| 23107 | L + N diff | 335 VAC /255 | 25 kA /50 | 25/ 50 kA | 1,5/ 2,5 kV | Yes |
| 23108 | 3 L + N diff | 335 VAC /255 | 25 kA /100 | 25/ 100 kA | 1,5 / 2,5 kV | Yes |
| 23114 | 2 L + N diff | 335 VAC /255 | 12,5 kA | 25 / 50 kA | 1,3/ 1,5 kV | Yes |
| 23115 | 4 3* L + N diff | 335 VAC /255 | 12,5 kA | 25/ 50 kA | 1,3/ 1,5 kV | Yes |



Our Products for the indirect lightning protection

> Class I Surge Protective Devices >

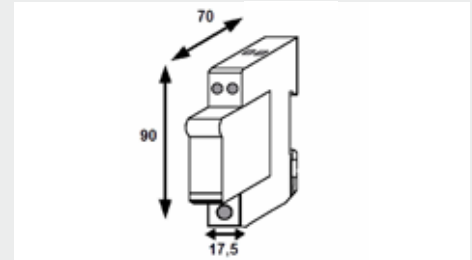
■ 1 pole SPD - 12,5 kA

Standard impulsed current: 12.5 kA.

Direct and indirect protection of 1 and 3-phase power supply network installations for areas with low risk of lightning strikes (low keraunic level).

SPDs with high impulsed currents (50 kA) for neutral protection of power supply networks.

Equipped with an optical fault indicator contact.



● 23116/23118

Ref. 23116/23118

| Ref | Module Network | Max voltage U_c | Impulse discharge current I_{imp} | Nominal discharge current I_n | Level of protection U_p under I_n | Repla-cement plug | Equipped with a remote fault indicator contact |
|--------|----------------|-------------------|-------------------------------------|---------------------------------|---------------------------------------|-------------------|--|
| 23116* | 1 | 440 VAC | 12,5 kA | 20 kA | 1,8 kV | 23117 | No |
| 23118* | 1 | 335 VAC | 12,5 kA | 20 kA | 1,4 kV | 23119 | No |

* Pluggable model



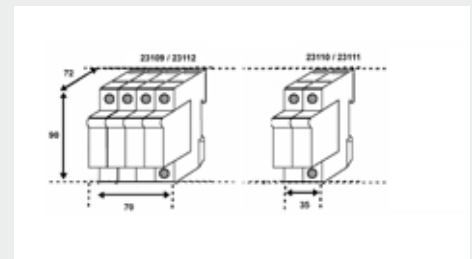
> Class I - II Surge Protective Devices >

■ Monobloc SPD - 12,5 kA

Standard impulsed currents: 12.5 kA.

Direct and indirect protection of 1 and 3-phase power supply network installations for areas with low risk of lightning strikes (low keraunic level).

Equipped with a remote and optical fault indicator contact.



● 23109/23110/23111/23112

Ref. 23109/23110/23111/23112

| Ref | Module Network | Max voltage U_c | Impulse discharge current I_{imp} | Nominal discharge current I_n | Level of protection U_p under I_n | Equipped with a remote fault indicator contact |
|-------|----------------|-------------------|-------------------------------------|---------------------------------|---------------------------------------|--|
| 23109 | 43L+N | 440VAC | 12,5 kA | 20 kA | 2,1 kV | Yes |
| 23110 | 2 L + N | 440 VAC | 12,5 kA | 20 kA | 1,9 kV | Yes |
| 23111 | 2 L + N | 335 VAC | 12,5 kA | 20 kA | 1,3 kV | Yes |
| 23112 | 43*L+N | 335 VAC | 12,5 kA | 20 kA | 1,4 kV | Yes |



Our Products for the indirect lightning protection

> Class I - Class II Surge Protective Devices >

■ 1 pole SPD - 50 kA - Protection of the neutral

Discharge currents of 50 kA.

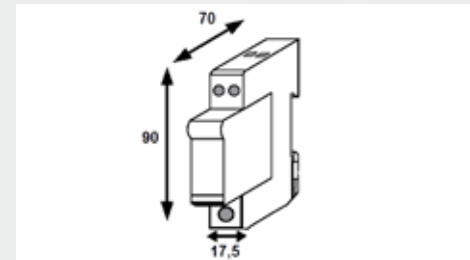
Direct and indirect protection of the neutral of installations for areas with high risk of lightning strikes (high keraunic level)

SPDs with high pulsed currents (50 kA et 100 kA) for neutral protection of power supply networks

Equipped with an optical fault indicator contact.

• 23129

| Ref | Module Network | Max voltage U_c | Impulse discharge current I_{imp} | Nominal discharge current I_n | Level of protection U_p under I_n | Equipped with a remote fault indicator contact |
|-------|----------------|-------------------|-------------------------------------|---------------------------------|---------------------------------------|--|
| 23129 | 1 | 255 VAC | 50 kA | 50 kA | 1,5 kV | No |



Ref. 23129



> Class II Surge Protective Devices >

■ Multipolar SPD - 40 kA

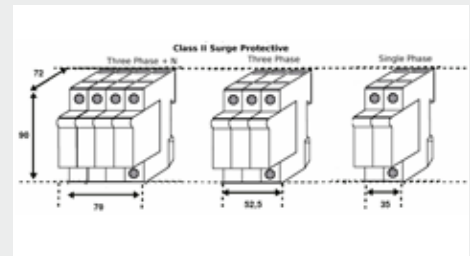
Discharge currents of 40 kA.

Primary protection of 1 or 3-phase power supply network installations situated in exposed areas (high keraunic level) or as a complement to type 1 SPD.

Equipped with a remote and optical fault indicator contact.

• 23201/23202/23203/23204/23205/23206

| Ref | Module Network | Max voltage U_c | Max discharge current I_{imp} | Nominal discharge current I_n | Level of protection U_p under I_n | Replacement plug | Equipped with a remote fault indicator contact |
|-------|----------------|-------------------|---------------------------------|---------------------------------|---------------------------------------|------------------|--|
| 23201 | 43*L+N | 440 VAC | 40 kA | 15 kA | 2 kV | 23208 | Yes |
| 23202 | 33*L | 440 VAC | 40 kA | 15 kA | 2 kV | 23208 | Yes |
| 23203 | 2L+N | 440 VAC | 40 kA | 15 kA | 2 kV | 23208 | Yes |
| 23204 | 43*L+N | 335 VAC | 40 kA | 15 kA | 1,4 kV | 23207 | Yes |
| 23205 | 33*L | 335 VAC | 40 kA | 15 kA | 1,4 kV | 23207 | Yes |
| 23206 | 2L+N | 335 VAC | 40 kA | 15 kA | 1,4 kV | 23207 | Yes |



Ref. 23201/23202/23203/23204/23205/23206



Our Products for the indirect lightning protection

> Class II Surge Protective Devices >

■ Multipolar SPD – 40 kA

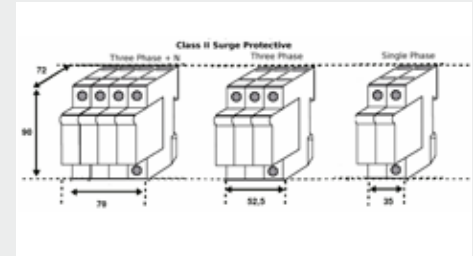
Discharge currents of 40 kA.

Primary protection (in common and differential mode) of 1 or 3-phase power supply network installations situated in exposed areas (high keraunic level) or as a complement to type 1 SPD.

Equipped with an optical fault indicator contact.

• 23209/23210

| Ref | Module Network | Max voltage U_c | Max discharge current I_{imp} | Nominal discharge current I_n | Level of protection U_p under I_n | Replacement plug | Equipped with a remote fault indicator contact |
|-------|----------------|-------------------|---------------------------------|---------------------------------|---------------------------------------|------------------|--|
| 23209 | 4 3* L+N diff | 335 VAC | 40 kA | 20 kA | 1,5 kV | 23230 (Phase) | No |
| 23210 | 2 L+N diff | 335 VAC | 40 kA | 20 kA | 1,5 kV | /23211 (Neutral) | No |



Ref. 23209/23210



■ Compact SPD – 40 kA

Discharge currents of 40 kA.

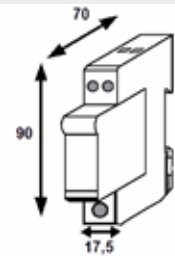
Primary protection of 1-phase power supply installations situated in exposed areas (high keraunic level) or as a complement to type 1 SPD.

Equipped with optical fault indicator contact

• 23212

| Ref | Module Network | Max voltage U_c | Max discharge current I_{imp} | Nominal discharge current I_n | Level of protection U_p under I_n | Replacement plug | Equipped with a remote fault indicator contact |
|-------|----------------|-------------------|---------------------------------|---------------------------------|---------------------------------------|------------------|--|
| 23212 | 1 L + N | 335 VAC | 40 kA | 20 kA | 1,4kV/1,2kV | 23213 | No |

Ref. 23212



Our Products for the indirect lightning protection

> Class II Surge Protective Devices >

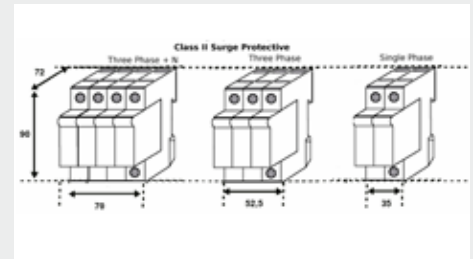
■ Multipolar SPD – 15 kA

Discharge currents of 15 kA.

Primary protection of 1-phase power supply installations situated in exposed areas (high keraunic level) or as a complement to type 1 SPD. Equipped with a remote and optical fault indicator contact.

• 23214/23216/23218

| Ref | Module Network | Max voltage U_c | Max discharge current I_{imp} | Nominal discharge current I_n | Level of protection U_p under I_n | Replacement plug | Equipped with a remote fault indicator contact |
|-------|----------------|-------------------|---------------------------------|---------------------------------|---------------------------------------|------------------|--|
| 23214 | 2 L + N | 335 VAC | 40 kA | 20 kA | 1,5 kV | 23220 | Yes |
| 23216 | 3 3L* | 335 VAC | 15 kA | 5 kA | 1,1 kV | 23220 | Yes |
| 23218 | 4 3*L + N | 335 VAC | 15 kA | 5 kA | 1,1 kV | 23220 | Yes |



Ref. 23214/23216/23218



> Telephonic, data and network SPD >

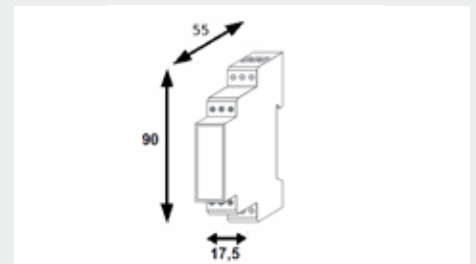
■ Telephonic, data and network SPD – 10 kA

Protection of analog (RTC/ADSL broadband) and digital (Numéris) telephones.

Examples: modems, faxes, telephones, answering machines, transmitters

• 23414/23415

| Ref | Application | Max discharge current I_{imp} | Nominal discharge current I_n | Level of protection U_p under I_n | Replacement plug |
|-------|-------------|---------------------------------|---------------------------------|---------------------------------------|------------------|
| 23414 | RTC/ADSL | 185 VDC | 10 kA | 5 kA | 20403 |
| 23415 | Numéris | +7 VDC | 10 kA | 5 kA | 23404 |



Ref. 23414/23415



Our Products for the indirect lightning protection

> Renewable photovoltaic and wind systems >

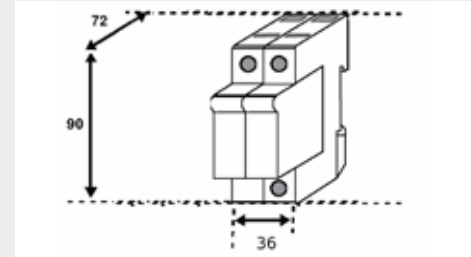
■ Multipolar class II – 40 kA

Maximum impulsive current: 40 kA.

Direct and indirect protection of photovoltaic and wind generator installations situated in high risk areas of lightning strikes. (high keraunic level).

Equipped with an optical fault indicator contact.

- 23222/23223/23224



Ref. 23222/23223/23224

| Ref | Module Network | Max voltage U_c | Maximal discharge current I_{max} | Nominal discharge current I_n | Level of protection U_p under I_n | Replacement plug | Equipped with a remote fault indicator |
|-------|------------------|-------------------|-------------------------------------|---------------------------------|---------------------------------------|------------------|--|
| 23222 | 2 PV | 550 VDC | 40 kA | 20 kA | 2,1 kV | 23227 | No |
| 23223 | 3 PV | 1000 VDC | 40 kA | 20 kA | 4 kV | 23228 | No |
| 23224 | 1 Wind generator | 690 VAC / 900 VAC | 40 kA | 20 kA | 3 kV | 23229 | No |



Our Products for the indirect lightning protection

> Miscellaneous Surge Protective Devices >

■ Equipotentiality Spark gap

Surge divesters ensure both balance of potentials on equipment and metal structures and absorption of electrostatic discharge.

For instance on roof support, pipelines, protection of insulation joints...

• 23503/20002

Ref. 23503/20002

| Ref | Application | Max voltage U_c | Max discharge current I_{max} | Nominal discharge current I_n | Weight |
|-------|--------------------------------------|----------------------|------------------------------------|------------------------------------|--------|
| 23503 | Indirect earthing of separate system | 350 V | 100 kA | 10 kA | 410 g |
| 20002 | Indirect connection of roof support | 200 VDC | | 25 kA | 120 g |



Our Products for the indirect lightning protection

> Miscellaneous Surge Protective Devices >

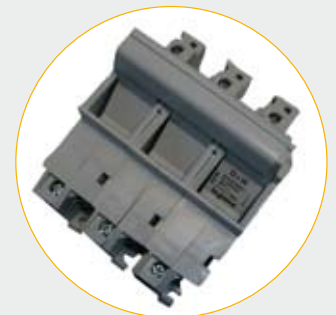
■ Surge Protectors Boxes

| Ref | |
|---|-------------------|
| Various models available Please consult us | Please consult us |



■ Circuit Breakers

| Ref | |
|---|-------------------|
| Various models available Please consult us | Please consult us |



■ Fuses

| Ref | |
|---|-------------------|
| Various models available Please consult us | Please consult us |



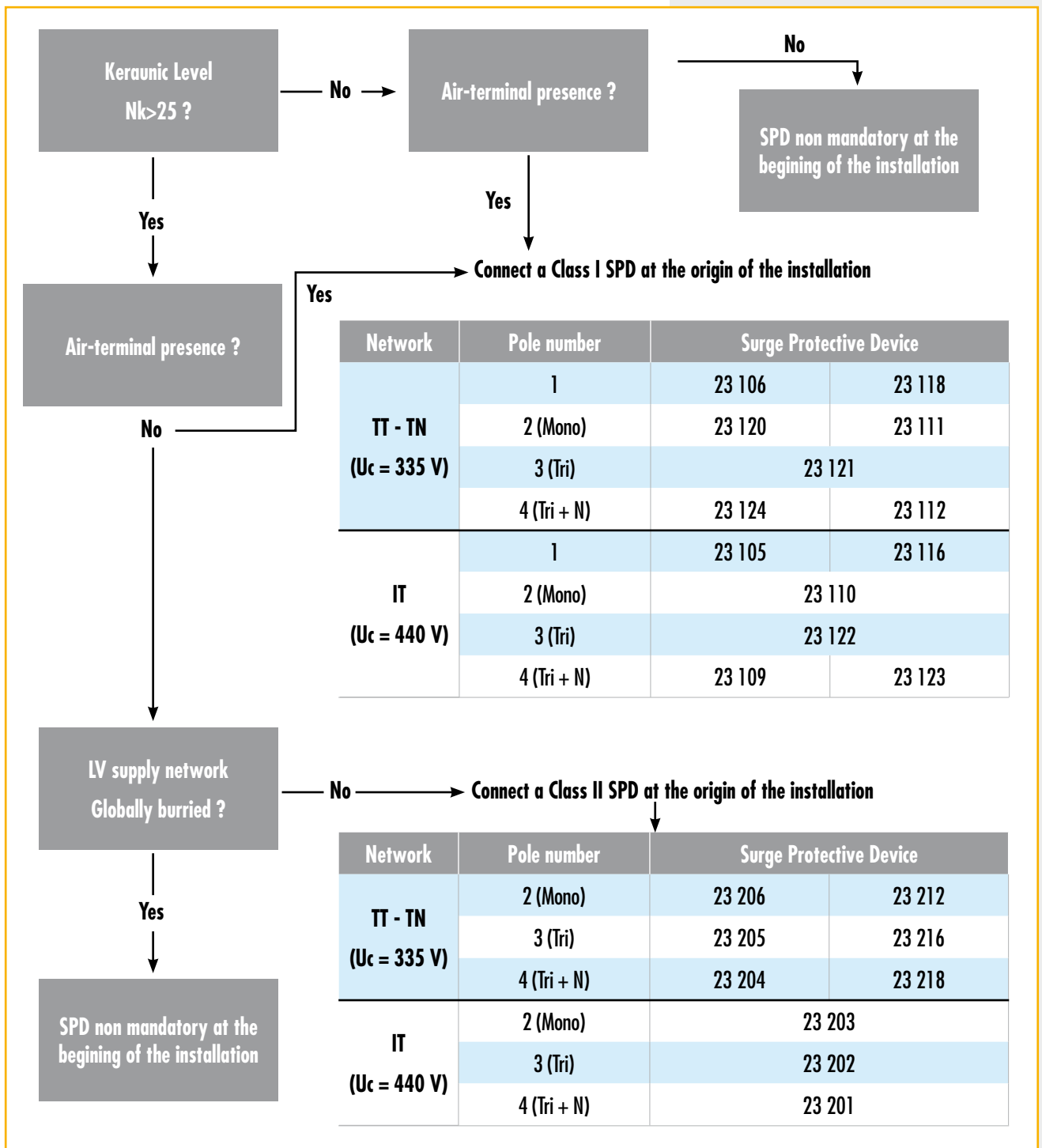
Our Products for the indirect lightning protection

> Choice guide and Installation schematic >

■ Choice guide

France Paratonnerres proposes you a synoptic with simple question (cf page 9) allowing the choice of the Surge Protective Device.

France Paratonnerres stay at your disposal to help you in the choice of the SPD the most adapted to your need.



Our Products for the indirect lightning protection

> Choice guide and Installation schematic >

■ Principle of SPD installation

When chosen and selected according to the equipment to be protected, and in order to be the most efficient, the SPDs have to be installed with respect to the schematic below :



Prevention Range



Prevention Range

> Thunderstorm Detector >

■ GAIA

The **GAIA®** is an electromagnetic thunderstorm activity detector. It enables the detection of electromagnetic field generated by lightning, within a 15 km radius from its bidirectional antenna.

The **GAIA®** antenna is connected to a processing unit, which provides thunderstorm alerts while a thunderstorm is nearing the installation site. It enables:

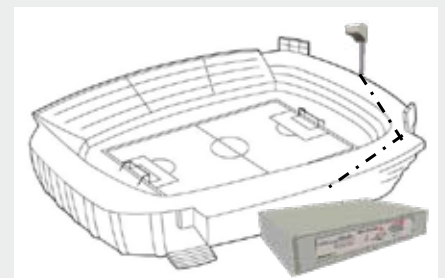
- 1. To ensure, with a bargraph, an information report on the approach and thunderstorm intensity activity.
- 2. To measure the thunderstorm presence on site.
- 3. To alert, with a visual and sound signal, about the need to initiate a safety procedure for the site (adaptable settings).
- 4. To ensure a vigilance during and after the thunderstorm, and an "all clear" signal.
- 5. To count and memorize the lightning events on the site.
- 6. To reset.

The **GAIA®** device enables:

- To improve the security of human lives, with a lightning risk warning of at least 15 minutes.
- To analyse the exposition risk of the site, and to check if the existing protection systems are adapted.
- An optional interface for follow-up and customized advice from France Paratonnerres.
- An easy installation, and an interferences filtering.

● 80319

Ref. 80319



Prevention Range

> Thunderstorm Detector >

■ GAIA



| Ref | | Dimension | Weight (g) | Protection Index | Connection Kit / Power supply | Electrical Consumption | Detection radius | Operating temperature | Standard |
|-------|-----------------|--------------------|------------|------------------|--|------------------------|------------------|-----------------------|-------------|
| 80319 | Processing Unit | 38 x 130 x 214 mm | 250 | IP 20 | Universal adapter 90-264 VAC, 50/60 Hz / 24VDC | 110 mA | 15 km | -20°C to +60°C | NF EN 50536 |
| | Antenna | 130 x 170 x 190 mm | 960 | IP 66 | Shielded cable 15m Connector SubD9 | | | | |

Prevention Range

> Thunderstorm Detector >

■ DEROMAS

PORTABLE THUNDERSTORM ALARM

The portable Thunderstorm Alarm France Paratonnerres is a safety device which enables to warn the user against the thunderstorm risks:

- Safety:

It ensures the safety of the professional teams working outside, the athletes, the operation staff.

Through a constant monitoring, it triggers a visual (red) and sound alert, indicating the need to seek a shelter.

- Ergonomics :

It is adaptable to a belt, a bag, a uniform, thanks to a clip.

- Low consumption:

Up to 100h of autonomy and reliable functioning with 2 LR3 batteries (included).

- Autonomy :

The device shuts off after 2 hours without lightning detected.

- Quick and efficient:

Start-up is done by simply pressing the button, the device measures the thunderstorm approach and distance, follows its

It ensures simultaneously the evaluation of the batteries power level.

The Thunderstorm Alarm France Paratonnerres is an ergonomic alert device.

It provides a vigilance and an alert signal during the approach of a thunderstorm.

Its great detection ability enables to forecast a thunderstorm presence up to 64 km away, and to determine its evolution and direction.

When there is a thunderstorm, a beep sound is audible.

In addition, LEDs are illuminated according to a lightning distance range (39-64 km, 19-39 km, 10-19 km and less than 10 km).



- **80320**

Ref. 80320

| Ref | Dimension | Detection range | Weight | Power supply | CEM standards | Warranty |
|-------|-----------------|------------------|--------|--------------------------------|---|----------|
| 80320 | 20 x 50 x 70 mm | Up to 64 km away | 80 g | 2 AAA LR3 Batteries (included) | EN 61000-6-3 / EN 61000-6-1 / EN 61000-4-3 / EN 55022 Class B / N 61000-4-2 | 1 year |

Prevention Range

> Thunderstorm Detector >

■ Storm detector

Consists of two parts :
a detecting antenna and a control box connected with 3 different length of cables.

[A nomad version is also available (Ref. 80161),

[The antenna is fixed on the upper part of a mast.
Permanent control of the storm activity. (in a radius from 5 to 10 km).

[A bright scale indicates the perturbation level generated by the storm.
Two levels of alert are available. They are adjustable.

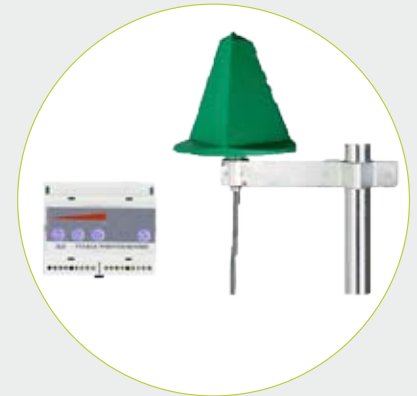
When the risk level is overpass, the storm alert is signalized with a contact, a beep and a fast blinking.

Ideal for mobile military sites.

For installations with high lightning risks or very sensitive
(petrol stock, chemistry, golfs, aeronautic sites ...)

- 80158/80159/80160/80161

Ref. 80158/80159/80160/80161



| Ref | Power supply | Detection radius | length of cable | Weight | Associated testing box |
|-------|--|------------------|-----------------|--------|------------------------|
| 80158 | 5,5 à 7 VDC / 12 à 48 VDC / 12 à 24 VAC | 5 to 10 km | 10 m | 6 kg | 80162 |
| 80159 | 5,5 à 7 VDC / 12 à 48 VDC / 12 à 24 VAC | 5 to 10 km | 20 m | 12 kg | 80162 |
| 80160 | 5,5 à 7 VDC / 12 à 48 VDC / 12 à 24 VAC | 5 to 10 km | 30 m | 18 kg | 80162 |
| 80161 | 5,5 à 7 VDC / 12 à 48 VDC / 12 à 24 VAC | 5 to 10 km | 0 (Nomad) | 5 kg | 80162 |



Prevention Range

Accessories



Accessories

> Accessories >

■ Earth resistance tester

Measures ground conductivity and electrical resistance of earths or lightning. Practical and user-friendly.
Included in the kit :

- 4 lengths x 25 m of wire section (red, green, blue and black)
 - 4 stainless steel measuring rods
- Optional bag (ref. 16175)

• 16174

| Ref | Power supply | Auto-nomy | Dimensions | Weight |
|-------|---|-----------|----------------------|--------|
| 16174 | 9V VDC (6 rechargeable batteries provided) | 20 hours | 140 x 80 x 230 mm | 6 kg |

Ref. 16174



■ Geiger counter

Light and easy to use, this Geiger counter detects radioactive air terminals over several metres as well as any other radioactive element.

Measure of Beta particles, X and Gamma rays.

In order to control the working of the counter, and to detect the radioactive sources, a beep is generated when a ionization is created in the tube. So, when you are near a radioactive element, the cadence of beeps accelerates.

- Technical characteristics:

Range of measure: de 5 à 999 Rem/h ou de 0,05 à 9,99 Sv/h
Bêta rays : 350 keV à 1,5 MeV
Gamma rays : 0,1 à 1,25 MeV
Power supply: 2x1,5 V batteries (LR03 included)

• 30041

| Ref | Description | Detection | Dimensions | Weight |
|-------|----------------|--|-------------|-----------------------------|
| 30041 | Geiger counter | X rays Gamma rays Bêta particles | 150 x 60 mm | 90 g (without batteries) |

Ref. 30041



Accessories

> Accessories >

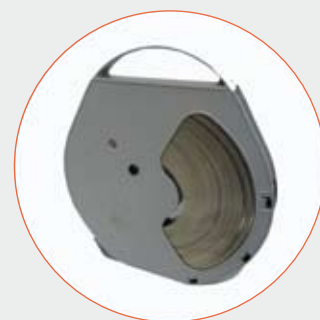
■ Hooping buckles

Fixing Air Terminals with hooping buckles especially for chimneys.

- 12005/12111/80120

Ref. 12005/12111/80120

| Ref | Material | Width | Thickness | Packaging | Weight |
|-------|------------------|-------|-----------|------------------|------------------|
| 12005 | Galvanized Steel | 40 mm | 0,7 mm | Rouleaux de 25 m | 4,5 kg per roll |
| 12111 | Stainless steel | 20 mm | 0,7 mm | Rouleaux de 50 m | 5,65 kg per roll |
| 80120 | Stainless steel | 10 mm | 0,4 mm | Rouleaux de 50 m | 1 kg per roll |



■ Hooping buckles

Fixing Air Terminals with hooping buckles.

- 12112/80080

Ref. 12112/80080

| Ref | Material | Width | buckle | Weight |
|-------|-----------------|-------|--------|--------|
| 12112 | Stainless steel | 20 mm | 12111 | 10 g |
| 80080 | Stainless steel | 10 mm | 80120 | 4 g |



Accessories

> Accessories >

■ Hoop mounting device

Hoop mounting device

- 12113

| Ref | Material | Weight |
|-------|------------------|--------|
| 12113 | Galvanized Steel | 2 kg |

Ref. 12113



■ Aluminothermic welding

The aluminothermic welding system Calweld® Multi, is simple and adaptable to ensure earthing circuit connections

[The kit includes:

- 1 pair pliers
- 1 mould for horizontal welding
- 3 moulds for welding on earth rod (Ø 12.5mm, 14.2mm, 17.2mm)
- 2 sachets of 33 fiber washers
- 1 pair of SKK1 pliers
- 1 tool kit
- 1 mould scraper
- 1 instruction manual

- 16300

Metal / Moulds / Accessories ...

Please consult us

| Ref | Designation | Weight |
|-------|--------------------|--------|
| 16300 | Kit Calweld® Multi | 2 kg |

Ref. 16300



Accessories

> Accessories >

■ Bolt

Stainless Steel bolt with ankle

• 12008

| Ref | Material | Diameter | Length | Weight |
|-------|-----------------|----------|--------|--------|
| 12008 | Stainless Steel | M 10 | 50 mm | 92 g |

Ref. 12008



■ Masonry lead peg for brickdown clamp

For brickwork clamp. Ref. 14001/14003/14005

• 14004

| Ref | Material | Weight |
|-------|----------|--------|
| 14004 | Lead | 6,2 g |

Ref. 14004



■ GBolt FIX II M10 95/36

For fixation. (M10)

• 85037

| Ref | Material | Diameter | Length | Weight |
|-------|------------------|----------|--------|--------|
| 85037 | Galvanized steel | M 10 | 95 mm | 62,5 g |

Ref. 85037



Accessories

> Accessoires >

■ Roof ornaments

Different sized rooster ornaments to fix on steeples

- 18101/18102/18105/18106/18108

| Ref | Style | Material | Size | Mounted on | Weight |
|-------|----------|----------|-------|-------------------------|--------|
| 18101 | Gaulois | Copper | 63 cm | Ball and bronze pebbles | 4,9 kg |
| 18102 | Gaulois | Copper | 75 cm | Ball and bronze pebbles | 5,9 kg |
| 18105 | Gaulois | Copper | 63 cm | Bronze pebbles | 3,8 kg |
| 18106 | Gaulois | Copper | 75 cm | Bronze pebbles | 4,8 kg |
| 18108 | Gothique | Copper | 63 cm | Bronze pebbles | 4,9 kg |



Accessories

> Accessoires >

■ Sheath

Sheath with ball bearing on bronze pebble.

- 18020

Ref. 18020

| Ref | Material | Dimensions | Weight |
|-------|----------|------------|--------|
| 18020 | Copper | 43 cm | 1,1 kg |

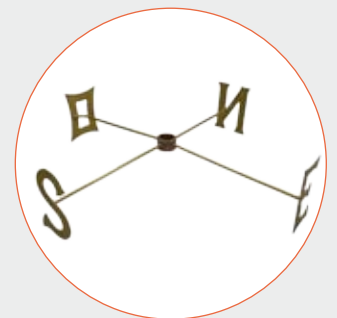


■ Cardinal points N.S.E.W

- 18110

Ref. 18110

| Ref | Material | Dimensions | Weight |
|-------|----------|------------|--------|
| 18110 | Brass | 65 cm | 1,1 kg |



Accessories

Certifications



Company and Information System Certification

> Iso 9001 Certification >



BUREAU VERITAS
Certification

FRANCE PARATONNERRES

9 RUE COLUMBIA - PARC ESTER TECHNOPOLE
87068 LIMOGES - FRANCE

Bureau Veritas Certification France certifie que le système de management de l'organisme susmentionné a été audité et jugé conforme aux exigences de la norme :

Standard

ISO 9001:2015

Domaine d'activité

**RECHERCHE, DEVELOPPEMENT, FABRICATION ET COMMERCIALISATION DE DISPOSITIFS DE PROTECTION Foudre.
ETUDE, REALISATION ET MAINTENANCE DES INSTALLATIONS DE PROTECTION Foudre.
EXPERTISE EN PROTECTION Foudre.**

**RESEARCH, DEVELOPMENT, MANUFACTURING AND MARKETING OF LIGHTNING PROTECTION SYSTEMS.
STUDY, REALISATION AND MAINTENANCE OF LIGHTNING PROTECTION INSTALLATIONS.
ASSESSMENT IN LIGHTNING PROTECTION.**

Date de début du cycle de certification : **08 mai 2017**

Sous réserve du fonctionnement continu et satisfaisant du système de management de l'organisme, ce certificat est valable jusqu'au : **11 mars 2020**

Certificat n° : **FR034743-1**

Date: **23 mai 2017**

Affaire n° : **6425447**



Jacques Matillon - Directeur général

Adresse de l'organisme certificateur : Bureau Veritas Certification France
60, avenue du Général de Gaulle – Immeuble Le Guillaumet - 92046 Paris La Défense

Des informations supplémentaires concernant le périmètre de ce certificat ainsi que l'applicabilité des exigences du système de management peuvent être obtenues en consultant l'organisme.
Pour vérifier la validité de ce certificat, vous pouvez téléphoner au : + 33 (0)1 41 97 00 60.





ACCREDITATION
N°14-0008
Une des sites de
portées disponibles sur
www.cofrac.fr

> Qualifoudre Certification >



PROFESSIONNELS DE LA PROTECTION CONTRE LA Foudre CERTIFICAT DE CONFORMITÉ

051168729019

L'Institut National de l'Environnement Industriel et des Risques (INERIS), Etablissement Public à Caractère Industriel et Commercial créé par le décret n° 90-1089 du 7 Décembre 1990, sous la tutelle du ministère de l'environnement, délivre la présente attestation de conformité au référentiel QUALIFOUDRE version 3.3 du 18 octobre 2013, à la Société suivante:

FRANCE PARATONNERRES

Parc Ester Technopole
9 rue Columbia
87068 LIMOGES


Les moyens mis en œuvre par cette société, après examens et audit (dossier INERIS N°173751), sont reconnus conformes aux spécifications du référentiel QUALIFOUDRE qui portent sur le système de management de la qualité, les méthodes de travail, la qualification et la formation des personnes suivant les rubriques utiles du référentiel indiquées ci-dessous :

Fabrication de paratonnerres
Fabrication de parafoudres
Analyses du risque foudre
Etudes Techniques
Installations
Vérifications

Ce certificat est valable jusqu'au 6 juin 2021.

Verneuil-en-Halatte, le 7 juin 2018.




Le Directeur Général de l'INERIS,
Par délégation,
Le Responsable du Pôle Certification
D. CHARPENTIER

Product Certification

> UL Certification >

CERTIFICATE OF COMPLIANCE

Certificate Number 20180105-E493082
Report Reference E493082-20180103
Issue Date 2018-JANUARY-05

Issued to: France Paratonnerres
Parc Ester Technopole
9 Rue Columbia
87068 LIMOGES FRANCE

This is to certify that representative samples of EARLY STREAMER EMISSION AIR TERMINALS CERTIFIED TO NF C 17-102
Early Streamer Emission Air Terminals, Cat No. IONIFLASH MACH NG60

Have been investigated by UL in accordance with the Standard(s) indicated on this Certificate.

Standard(s) for Safety: NF C 17-102, French Standard for Protection against Lighting: Early Streamer Emission Air Terminal.

Additional information: See the UL Online Certifications Directory at www.ul.com/database for additional information

Only those products bearing the UL Certification Mark should be considered as being covered by UL's Certification and Follow-Up Service.

Look for the UL Certification Mark on the product.

B. Mallory

Bruce Malvernholz, Director North American Certification Program

UL LLC

Any information and documentation involving UL Mark services are provided on behalf of UL LLC (UL) or any authorized licensee of UL. For questions, please contact a local UL Customer Service Representative at <http://www.ul.com/about/locations>



Product Certification

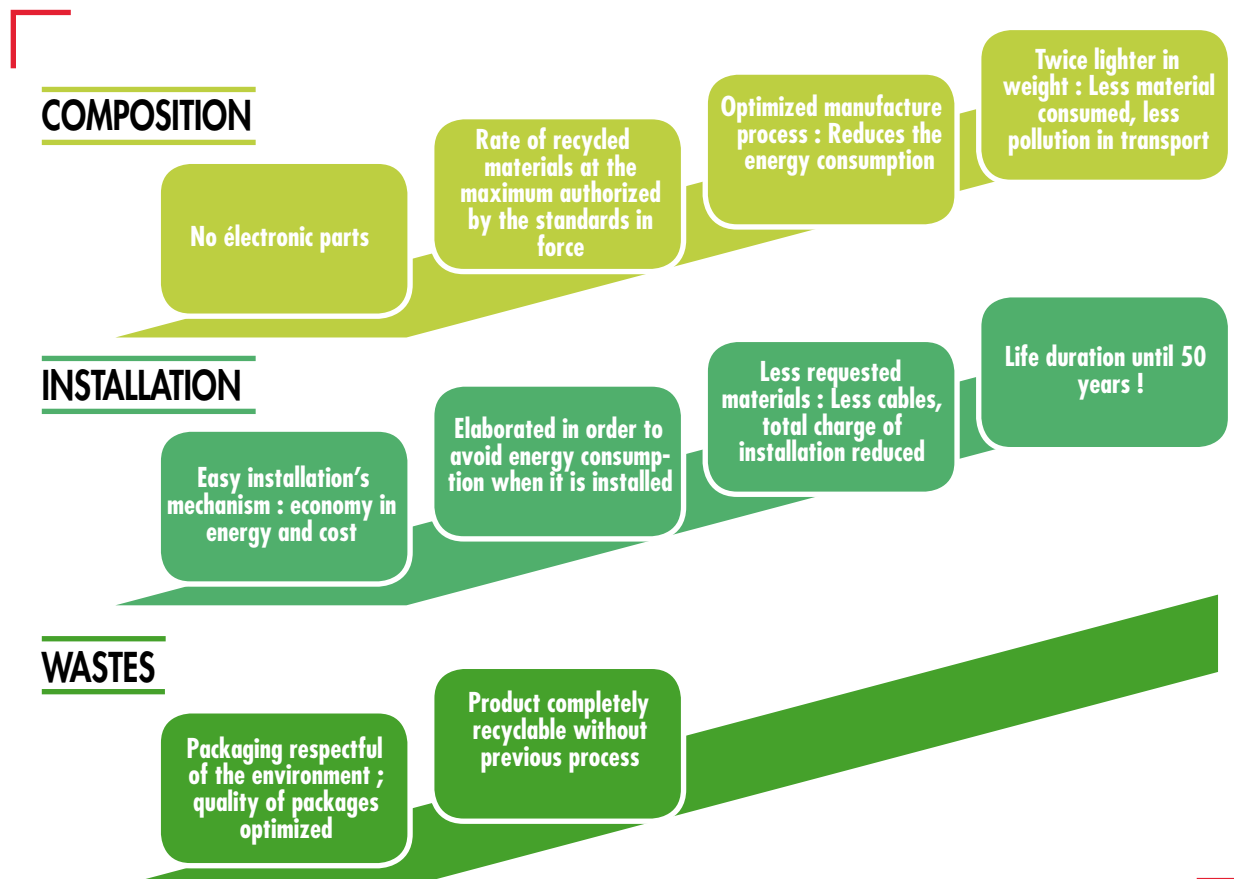
> IONIFLASH MACH® Carbon report >

| Périmètre | IONIFLASH MACH (in Teq CO2) | IONIFLASH MACH + Accessories (in Teq CO2) |
|------------|-----------------------------|---|
| Restraint | 99,2 | 115,2 |
| Life cycle | 93,6 | 109,6 |
| Global | 151,2 | 167,2 |

> Air-terminal Carbon report >

| Périmètre | IONIFLASH MACH (in Teq CO2) | IONIFLASH MACH + Accessories (in Teq CO2) |
|------------|-----------------------------|---|
| Restraint | 33 | 38 |
| Life cycle | 31 | 37 |
| Global | 50 | 58 |

> Environmental advantages of the IONIFLASH MACH® >



Product Certification

> IONIFLASH MACH Tests >

■ Tests were made on the ESE IONIFLASH MACH in the following laboratory :

- CNRS _____



- Ampère _____



- GERAC _____



- Grand Top Europe _____



- CPRI Bangalore _____



- SHANGHAI JIAO TONG _____



- LGE Pau _____



A documentary verification of these test results has been made by Bureau Veritas

The background of the page is a photograph of a blue sky with white clouds, with the roof of a building visible at the bottom.

France Paratonnerres

Our services

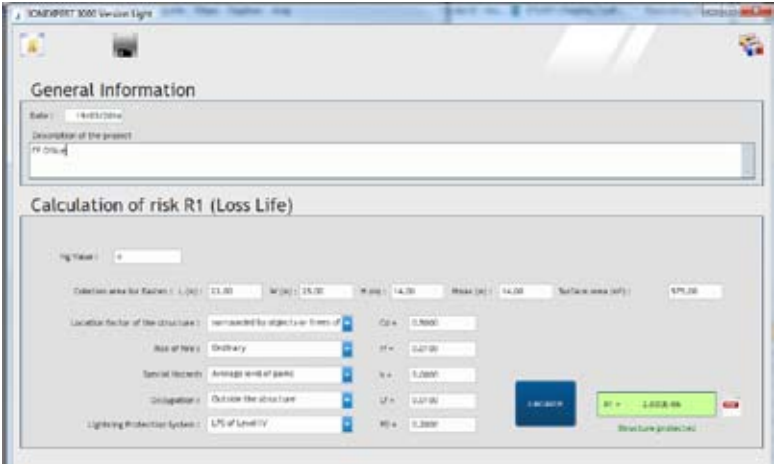
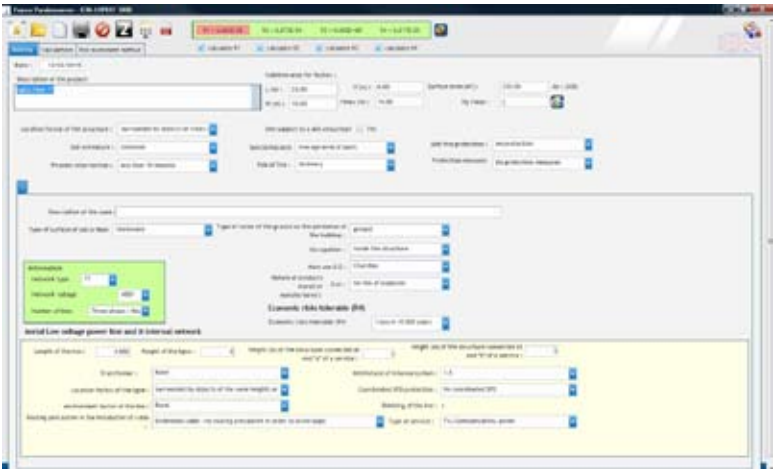
France Paratonnerres / Our services

> Lightning Risk Assessment and Technical Studies >

For complex cases, France Paratonnerres uses:

The IONEXPERT 3000® enables quickly and easily to determine the Protection Level required, in order to protect efficiently, and according the standard a site.

IONEXPERT 3000® has been developed by France Paratonnerres



Moreover, this software gives a Quick Technical Study of the site and quick view of the protection radius of the air terminals.



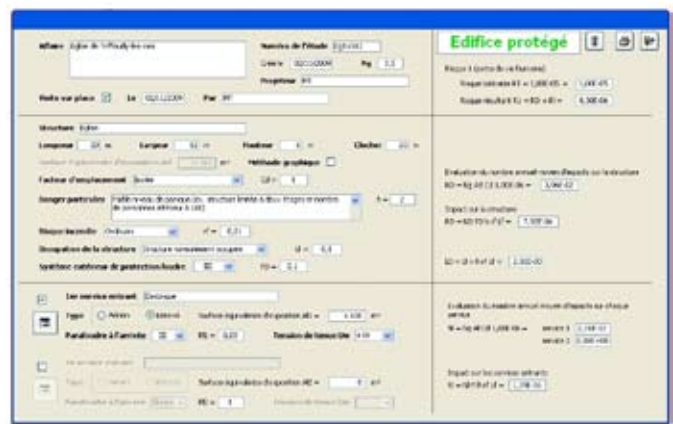
> Lightning Risk Assessment and Technical Studies >

The France Paratonnerres Design Office has also developed its own risk evaluation tool based on the information in the practical guide UTE C 17-108 dedicated to the simplified analysis of lightning.

A version of this tool can be obtained online from the company by simple request. <http://www.france-paratonnerres.com>

This software enables depending on the characteristics of the building to be protected :

- Geographical situation
- Location factor
- Dimensions
- Specific danger
- Fire risk
- Occupation of the building
- Existing supply services



To know if, when an external and internal lightning protection system is present, (according to the four levels of protection available), the building is or is not protected. The software programme identifies the level of risk depending on the characteristics of the building and compares it to a tolerated risk level.

Once the protection level has been chosen the Design Office will establish a technical study with the type of protection to be installed.

France Paratonnerres certified Qualifoudre by INERIS, is committed to carrying out studies in conformity to standard NF IEC/EN 62305-2.



Our Design Office is qualified for all types of Lightning Risk Analysis (LRA) and Technical Studies (TS).

The Design Office can manage both :

- Analyses considered complex as described in standard IEC/EN 62305-2 or NF C 17-102.
- Simpler analyses as in the practical guide NF C 17-108.

Lightning Risk Analysis cannot be prescribed and does not quantify the materials implemented for proposed solutions. These elements are defined by the technical study depending on the protection measures chosen.

Complex Lightning Risk Analysis is managed according to the risk evaluation method as described in standard IEC/EN 62305-2 and in accordance to the Annex A of the NFC 17-102 Standard Edition 2011.

Risk evaluation enables the selection of values in consideration of elements in the building which needs protecting. These values will be included in the calculations to find the best level of protection to implement.

France Paratonnerres / Our services

> Information sheet for Lightning Risk Analysis >

| | |
|---|--|
| | Information for a study of an analysis for lightning risk |
| (fill in one file for each building to protect) | |
| YOUR INFORMATION: Name: _____ Address: _____ Postcode: _____ Town: _____ Country: _____ Tel: _____ Fax: _____ e-mail: _____ | |
| NAME OF THE SITE TO PROTECT: Department: _____ Town: _____ Country: _____ | |
| TYPE OF BUILDING: Principal use: offices <input type="checkbox"/> commerce <input type="checkbox"/> public entertainment <input type="checkbox"/> school <input type="checkbox"/> church <input type="checkbox"/> hospital <input type="checkbox"/> hotel <input type="checkbox"/> industry <input type="checkbox"/> museum <input type="checkbox"/> restaurant <input type="checkbox"/> public services <input type="checkbox"/> individual house <input type="checkbox"/> other: _____ Nature of the stored products or manufactured products: Building in project <input type="checkbox"/> Building under construction <input type="checkbox"/> Building constructed <input type="checkbox"/> | |
| | |
| Building's form: A <input type="checkbox"/> B <input type="checkbox"/> C <input type="checkbox"/> D <input type="checkbox"/> E <input type="checkbox"/> | |
| Height: _____ m Total Height: _____ m Length: _____ m Width: _____ m Chimney or steeple height: _____ m | |
| | |
| Please give us if possible, the documents which would be useful for our study: Sketches of the buildings, photos, study of the dangers, exploitation order of the prefect... | |

> Training Seminars >

■ Training Seminars

France Paratonnerres training proposes two training modules.

- Module n° 1 : Protection against lightning
- Module n° 2 : Lightning. Analysis and Detailed protection set up

| Module | Subject | Theme | Objective | Skills Required |
|------------------------------|---|---|---|--|
| MODULE 1 (1 day) | Protection against Lightning | The Lightning Phenomenon Standards regarding Lightning Protection Establishing protection Demonstration on site | Installers Distributors Architects | None |
| MODULE 2 (2 days) | Lightning Analysis and Detailed protection set up | Effects of lightning Standards and Regulations Lightning Risk Analysis Case studies Protection systems Setting up protection | Engineers Technicians Maintenance engineers Installers | Electrotechnical and Building & Public Works knowledge |

Training takes place at the Head Office of France Paratonnerres

If you need us to visit a site in France or abroad, please contact us.

Training dates are available on request

France Paratonnerres / Our services

> Take off, Dismantling, Packaging and Storage of radioactive air-terminals



In France, the law decree of October 11th, 1983 forbids the use of radioactive elements in lightning protection



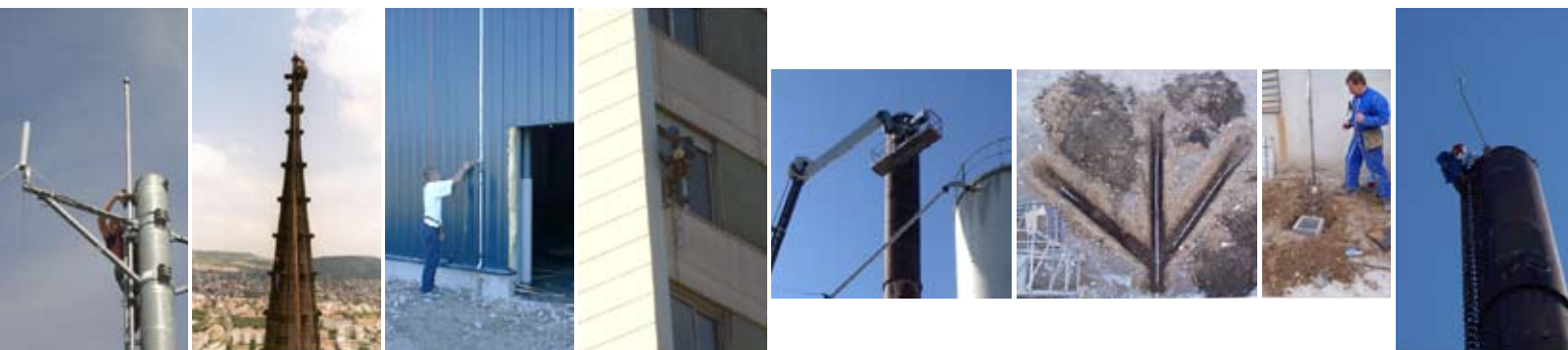
FRANCE PARATONNERRES HAS THE AUTHORIZATION DELIVERED BY THE ASN (THE FRENCH AUTHORITY OF NUCLEAR SECURITY) N° 10.04291

We are authorized to :

- Proceed to the dismantling of the radioactive air-terminals.
- Proceed to the packaging of the radioactive air-terminals.
- Proceed to the removal and to the transport safely of the radioactive air-terminals.
- Proceed to the storage of the radioactive air-terminals before the ANDRA's removal.

All the protection and safety measures have been set up with respect to the article R1337-23 of the code of public health.

> Installations



Our teams are qualified to intervene on all types of site, from simple to complex cases classified environmentally protected sites (I.C.P.E.), in accordance with our **Qualifoudre** approval delivered by **INERIS**.

France Paratonnerres can also use the services of partners who are qualified to work on electrical installations, drive aerial work platforms, drill bore-holes, carry out levelling work and so on in order to complete certain installations.

A certificate of conformity to standards can be remitted after work has been carried out.

> Maintenance of sites >



France Paratonnerres ensures maintenance and bringing installations into compliance in accordance to standards :

- NFC 17-100 of December 1997,
- NFC 15-100 of December 2002,
- IEC/EN 62305-3 de 2010,
- IEC/EN 62305-4 de 2010,
- NFC 17-102 of September 2011.

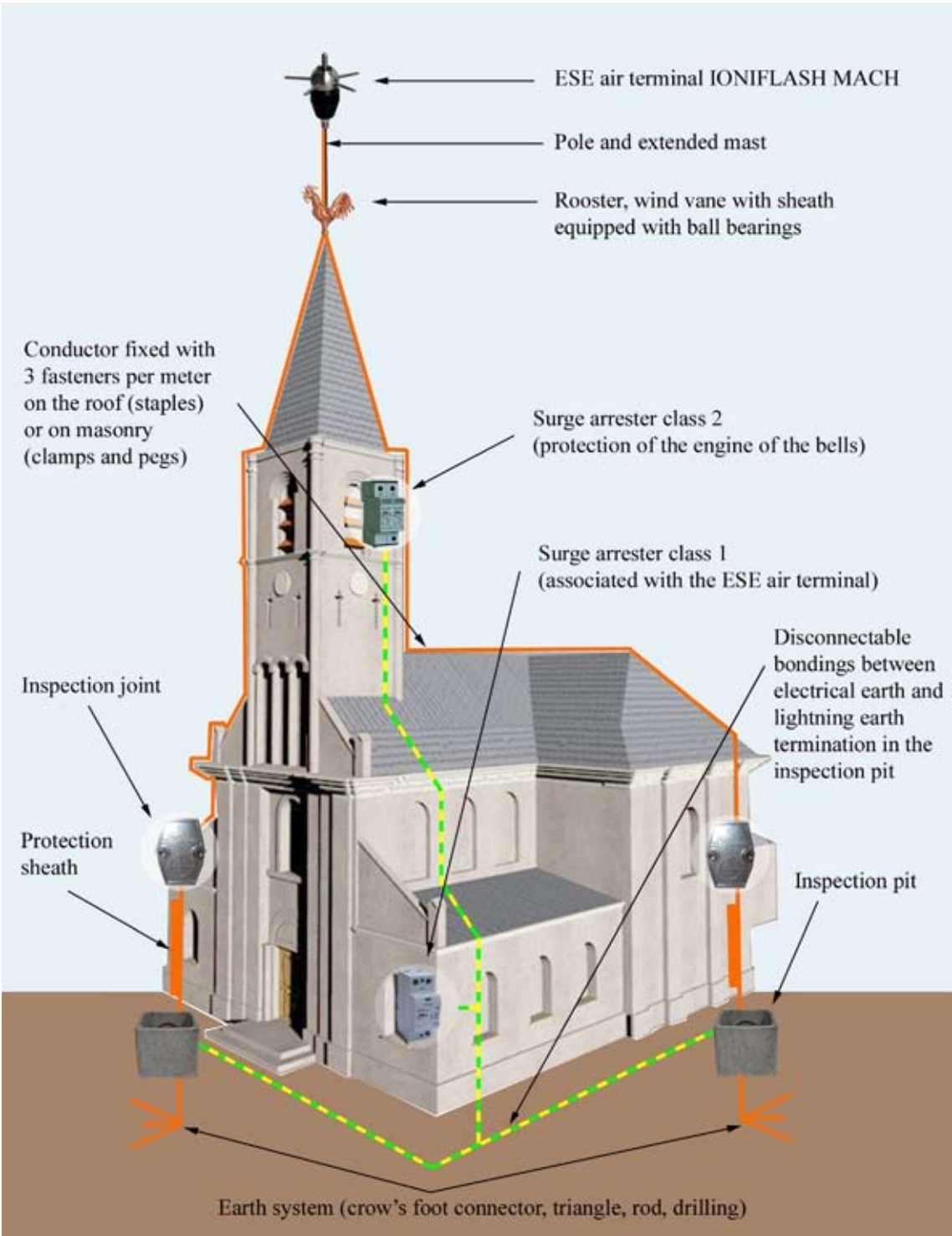
and in compliance with the decrees and instructions in force.

- The state and the quality of fixing elements of down conductors, from air terminal systems to earthing
- Conformity of surge protection devices (state, section...)
- Electrical continuity of such devices, where they are placed and how they are routed, notably those with electrical interconnections.
- The conformity to regulations and the distance of security required.
- Resistance values of earthing terminals.
- All equipotentiality connections
- Existence, state and conformity of the surge protector device installation.

France Paratonnerres / Our services

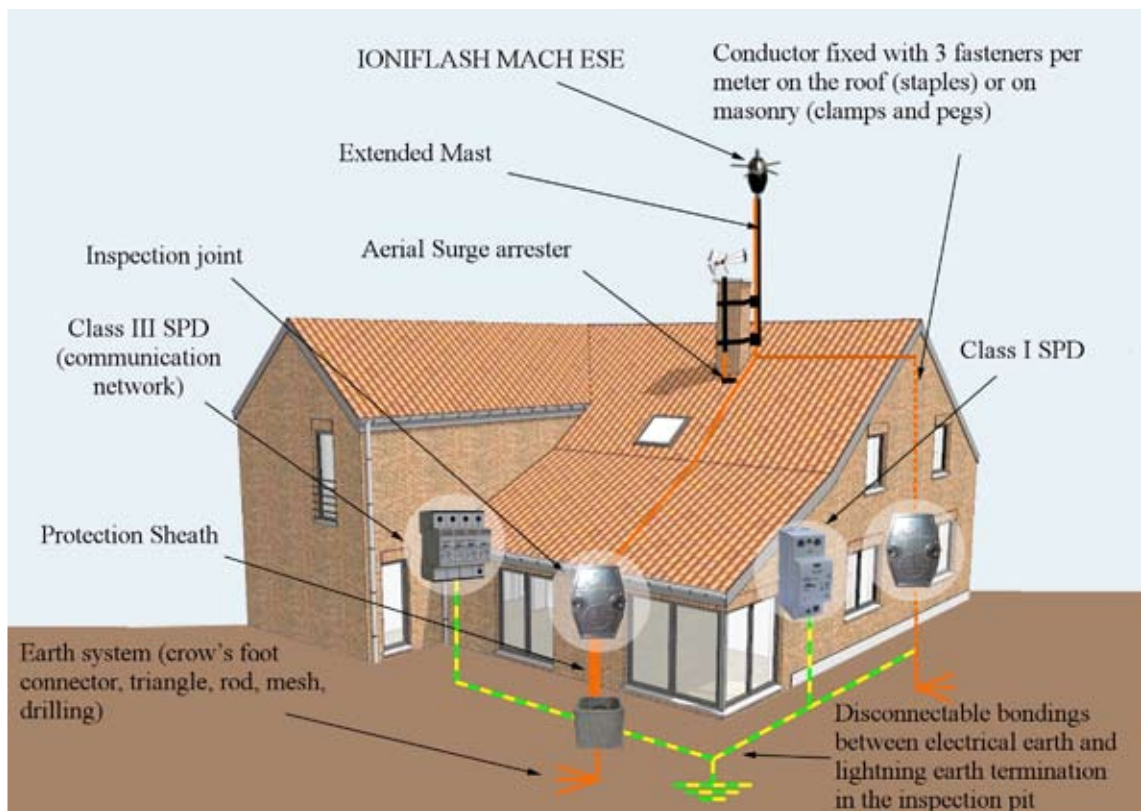
> **Examples of lightning protection installations** >

■ **Churches and monuments**



> Examples of lightning protection installations >

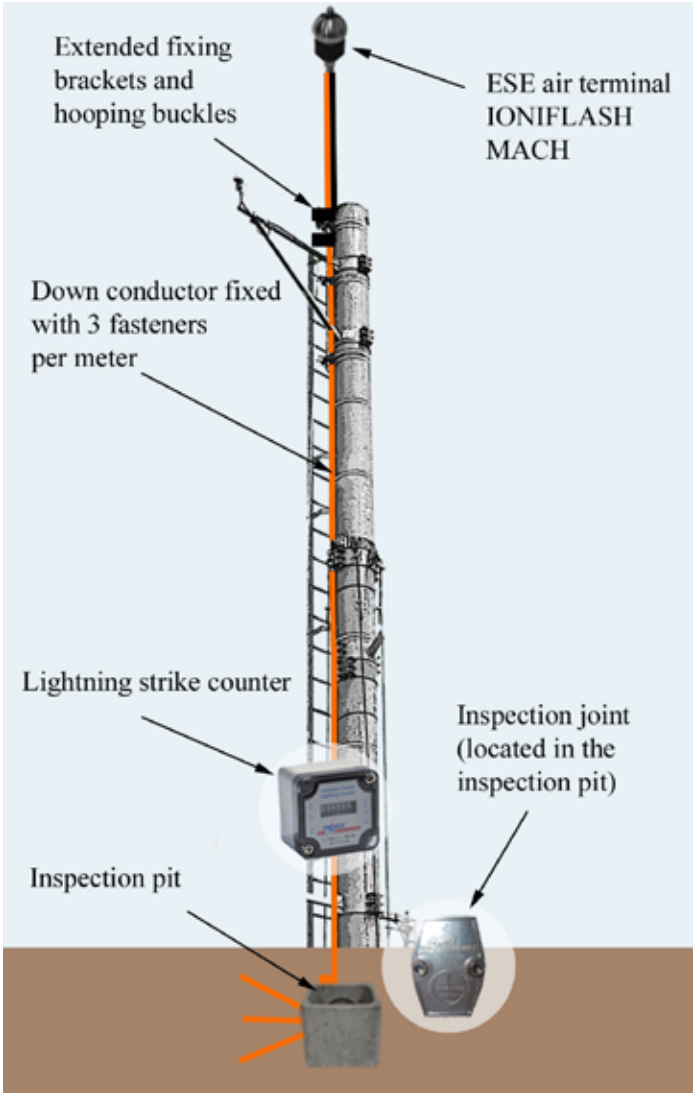
■ Houses and small structures



France Paratonnerres / Our services

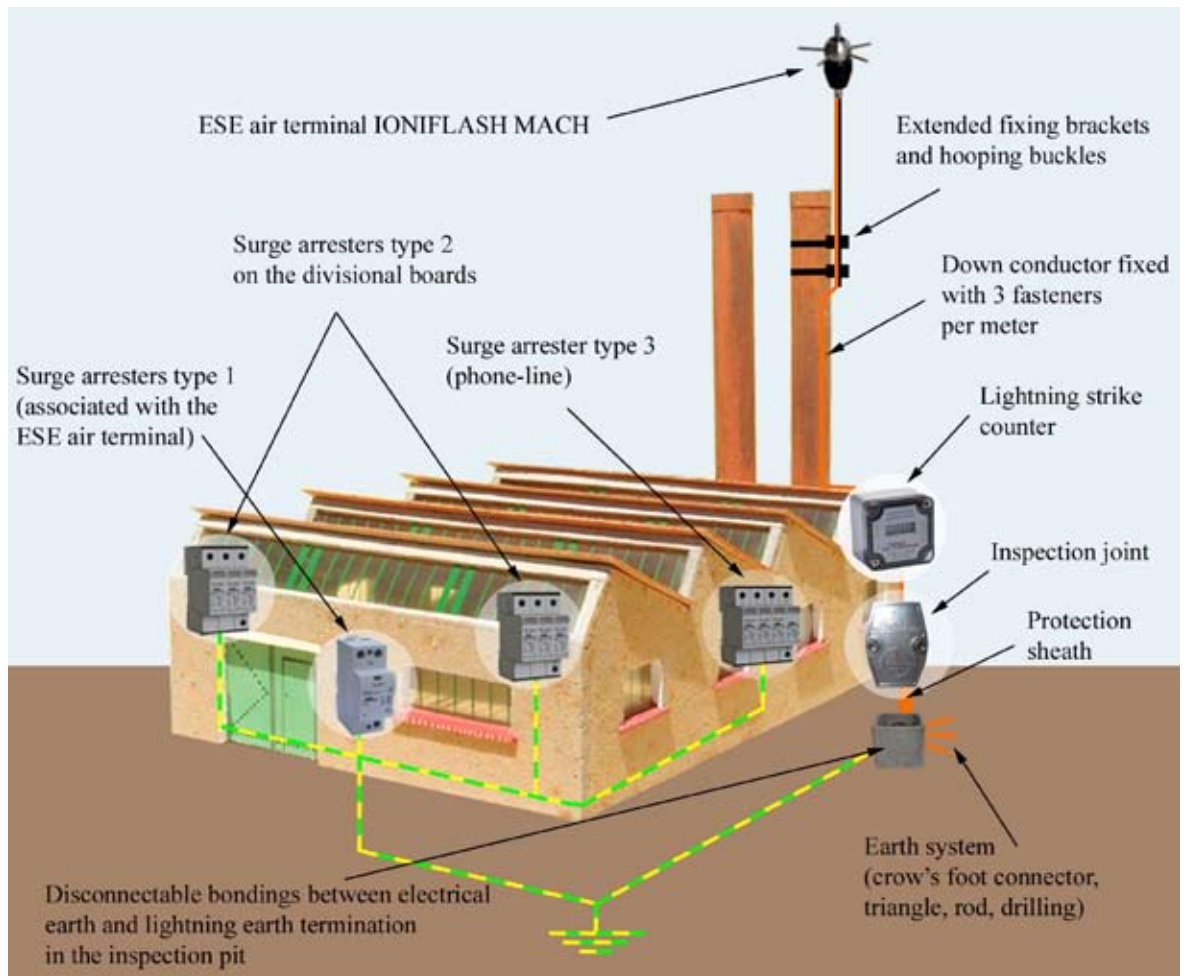
> Examples of lightning protection installations >

■ Pylon



> Examples of lightning protection installations >

■ Industrial sites and plantations



France Paratonnerres / Our services

General Information about Lightning



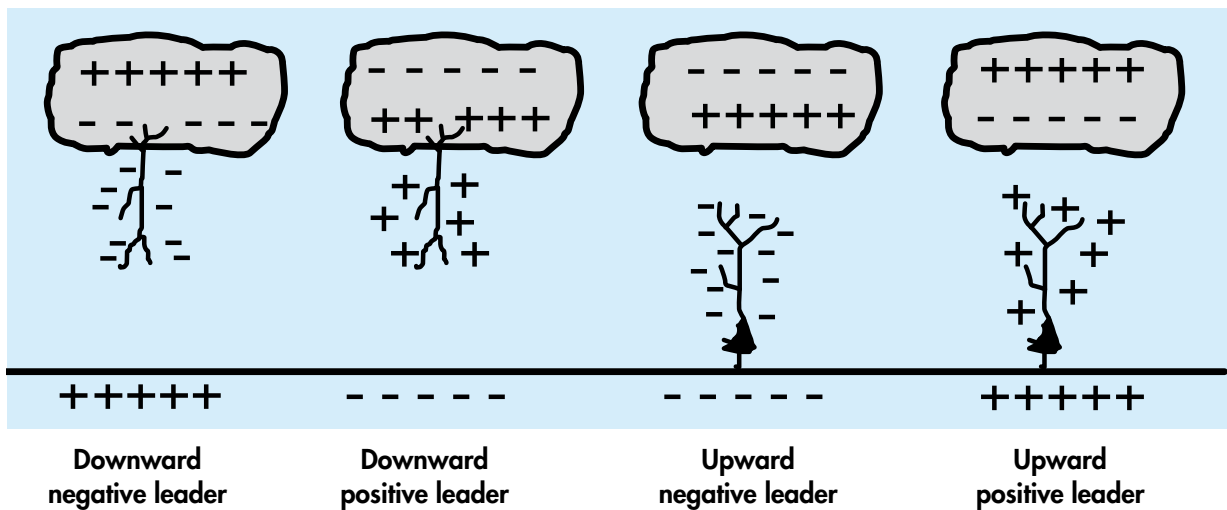
General information about lightning

> The lightning phenomenon

Lightning is a natural phenomenon of disruptive electrostatic discharge which is produced when static electricity accumulates between a cloud and the earth. The different electric potential between the two points can be up to 100 million volts and produces plasma on discharge, causing an explosive expansion in the air through release of heat. When it disperses, this plasma creates both a flash of light (lightning) and a sound (thunder).



Formation of or the arrival of a storm cloud creates an electric field between the cloud and the ground. This electric field increases up to values of 10 kV/m, thus initiating creation of corona discharges from irregularities on the ground or from metal structures (projections). Lightning between the cloud and the ground is composed of both downward leaders and upward leaders.



The negative downward leader (most frequent case), starts within the negative masses of the cloud.

This leader then propagates downward in a succession of intermittent steps (contrary to the positive leader which travels without stepping) of about ten metres and with pauses of 40 à 100 µs between steps.

As the leader progresses, one can see numerous forks pointing downwards.

General information about lightning

> The lightning phenomenon >

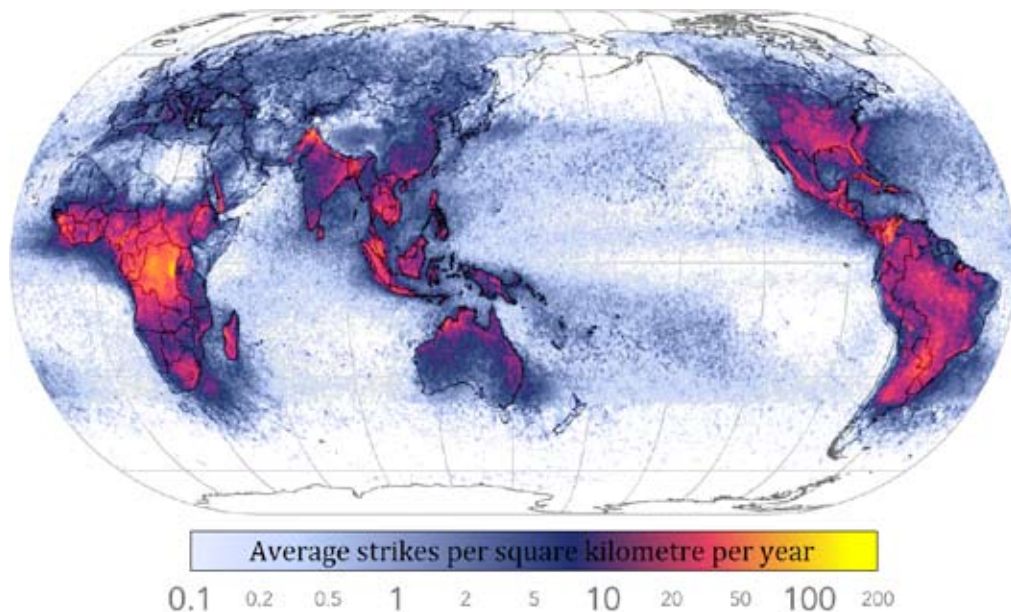
Lightning tends to hit high altitude areas and prominent objects. Thunder may resonate with a sharp cracking sound when the lightning is near and rumble when it is further away. As light travels faster than sound, lightning is visible before the thunder may be heard.

When the electrostatic field is over the dielectric limits of the air (variable depending on humidity and atmospheric pressure), a lightning discharge is produced and accompanied by a sound wave: thunder (produced by the sudden dilatation of air over-heated by the electric arc).

The manufacture of lightning risk protection implicates assessing geographic and climatic conditions to determine the level of exposure to the structure which is to be protected.

The parameters to consider are notably:

- The keraunic level N_k : It expresses the mean annual value of the number of days with storms (days when thunder can be heard in a specific place).
- Density of strike N_g : It indicates the mean value of the number of lightning strikes noted per year and per km^2 .



In France, the number of lightning strikes hitting the ground is about a million a year

Although the probability of being hit by lightning is about one in a million, damage caused by lightning per year represents:

- 10 to 30 deaths
- 100 persons struck by lightning
- 20 000 animals hit by lightning
- 20 000 lightning accidents due to lightning, including 15 000 fires
- 50 000 electrical junction boxes destroyed
- 250 steeples destroyed
- 1 billion euros

General information about lightning

> The lightning phenomenon >

Without adequate protection, propagation of lightning current can lead to multiple effects which are divided into two main categories: direct and indirect effects:

■ Direct effects

- **Mechanical Effects** take place when lightning strikes (such as distortion, break-off destruction, ...)
- **Thermal Effets** (or «Joule's law») cause fusion on impact point, or destruction by explosion of the material or even starting of fires.
- **Electrochemical Effects** mean the chemical transformation of materials through electrolytic reactions (negligible, mostly present on earths).
- **Step potential** can provoke burns or cause respiratory failure or cardiac arrest when the lightning current passes through heterogeneous soils.

■ Indirect effects

- **Overvoltages are conducted** when lightning strikes an electrical line or pylon directly. The current is propagated and reaches all the installations along the line, even several kilometres away from the point of impact.
- **Overvoltages are induced** by electromagnetic radiation of the lightning current on all nearby metal elements. Overvoltages and transient currents thus appear on all equipment which is connected to these elements, with proportional effects depending on the intensity and proximity of the lightning strike.
- **Surges in tension on the earthing systems**, which take place when the current spreads into the ground, provoke damaging tension differences between the mass of the equipment and the networks to which they are connected.
- **Earth potential rise** of non-negligible current from a lightning strike is evacuated by the earth of the air terminal and sent to the earth of the installation.

To reduce and to protect from these different effects (both direct and indirect), it is necessary to have a state-of-the-art Installation for External Lightning Protection System (ELPS) and Interior Lightning Protection System (ILPS), with particular care taken in earthing and interconnections with the conducting elements running alongside the down conductors poles and the electric masses of the installation.

General information about lightning

> The lightning phenomenon >

The detection network for storms at « Météorage » enables to determine the values of the density of lightning strikes over the whole of France.

Depending on the geographical situation, of the type of electrical power supply or the presence or absence of an air terminal, the installation of a protection system against overvoltages may be compulsory as the following table shows:



¹ Les valeurs ont été établies à partir de la Base de Données Foudre de Météorage sur la période 1974 à 2013.
² Les valeurs sur la Corse ont été établies à partir de la Base de Données Foudre de Météorage sur la période 1975 à 2013.
 Ces valeurs sont des moyennes et dans certaines régions, les variations sont importantes et peuvent atteindre des disparités.

| Type of situation | Nk ≤ 25 | Nk > 25 | At proximity of an installation of the first column |
|--|----------------|------------------------|---|
| Building equipped with an air terminal | Type 1 | Type 1 Compulsory | Not compulsory |
| Low voltage power supply by a line which is entirely or partially above ground | Compulsory | Type 1 Compulsory | Not compulsory |
| Safety risk for people | Not compulsory | Type 1 or 2 Compulsory | Not compulsory |
| Low voltage power supply by a line which is entirely underground | Not compulsory | Type 1 or 2 Compulsory | Not compulsory |

Installing a protection system against overvoltages enables to reduce the probabilities of accidents caused by constraints or overvoltages to an acceptable level, thus providing a safe environment for people or property.

When a surge protector device system is not compulsory, a Lightning Risk Analysis can be carried out to justify its installation or not, if costs of material involved and its unavailability are vital to the installation.

General information about lightning

> The lightning phenomenon >

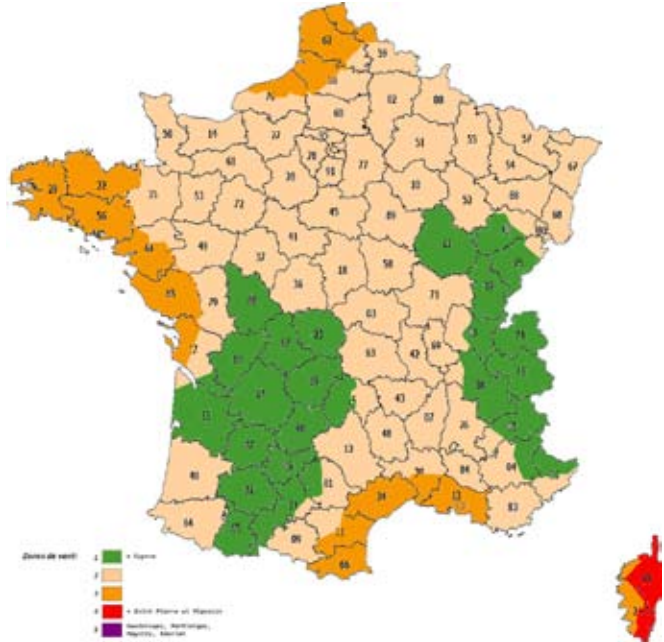
Statutory NV65 were established to fix the values of climatic overvoltages and to provide evaluation methods for the efforts corresponding to a complete building or on its different parts.

In respect with these rules, the **France Paratonnerres** extended poles have been designed to resist in extremely windy conditions without guying.

However, it may sometimes be necessary to check the mechanical strength of the planned installation when a superior level needs to be guaranteed.

France Paratonnerres will then recommend the right and reliable solution by carrying out a detailed study using the appropriate software. Please consult us if you have special requirements.

The map divides France into 5 areas. Each area is then divided into 3 different sites



Protected site : hollow area surrounded by hills and therefore protected from winds coming from all directions.

Normal site : wide plain or plateau with few differences in gradient with slopes below 10%.

Exposed site : near the sea: the coast in general (about 6 kms), tops of cliffs, islands or narrow peninsulas.

Inland : narrow valleys where the wind sweeps through; isolated or high mountains and certain mountain passes

| Area | Site | Normal pressure (Pa) | Extreme pressure (Pa) | Normal speed (km/h) | Extreme speed (km/h) |
|--------|-----------|----------------------|-----------------------|---------------------|----------------------|
| Zone 1 | Protected | 400 | 700 | 92 | 121,7 |
| | Normal | 500 | 875 | 102,9 | 136,1 |
| | Exposed | 675 | 1181,3 | 119,5 | 158,1 |
| Zone 2 | Protected | 480 | 840 | 100,8 | 133,3 |
| | Normal | 600 | 1050 | 112,7 | 149,1 |
| | Exposed | 780 | 1365 | 128,5 | 169,9 |
| Zone 3 | Protected | 600 | 1050 | 112,7 | 149,1 |
| | Normal | 750 | 1312,5 | 126 | 166,6 |
| | Exposed | 937,5 | 1640,6 | 140,8 | 186,3 |
| Zone 4 | Protected | 720 | 1260 | 123,4 | 163,3 |
| | Normal | 900 | 1575 | 138 | 182,6 |
| | Exposed | 1080 | 1890 | 151,2 | 200 |
| Zone 5 | Protected | 1200 | 2100 | 159,3 | 210,8 |
| | Normal | 1200 | 2100 | 159,3 | 210,8 |
| | Exposed | 1440 | 2520 | 174,6 | 230,9 |

extreme coefficient = 1,75

Air density = 1,225 kg/m³

Reference pressure at 10m above ground level

General information about lightning

> Regulations >

Lightning protection is a domain which is regulated by a large number of standards to which France Paratonnerres adheres to when developing or marketing its many products.

- NF C 17-102 September 2011 edition : Protection contre la foudre :

This standard describes the set up regulations for the protection of structures and open zones against direct lightning strikes by Early Streamer Emission (E.S.E.) Air Terminal.

It gives the rules relative to conception, manufacture, verification and maintenance of installations made using E.S.E. Air Terminals.

This standard basically describes the E.S.E. Air Terminal product and gives test procedures to be carried out

- NF C 15-100 : Low voltage electrical installations :

This standard is applicable to all electrical installations with a power supply of below or equal to 1000V alternative current and to 1500V continuous current.

This document lists the rules for design and creation of electrical installations which are to be applied to ensure correct working conditions and safety.

Articles 443 and 534.1 describe more particularly protection measures against voltage and electromagnetic variations.

- EN 61643-11 : Low voltage surge protector devices – surge protector devices connected to low voltage distribution networks – Requirements and tests :

– Exigence et essais :

This standard describes the requirements and tests enabling characterisation of surge protector devices connected to low voltage distribution networks.

- IEC 62561 : Lightning Protection Components :

This series of standards is a « product » standard describing the technical characteristics which the various components for protection against lightning have to respect. The series is divided into 7 standardised volumes for different products:

- IEC 62561-1 : Requirements for connection components
- IEC 62561-2 : Requirements for conductors and earth electrodes
- IEC 62561-3 : Requirements for isolating spark gaps
- IEC 62561-4 : Requirements for conductor fastenings
- IEC 62561-5 : Requirements for earth electrode inspection housings and earth electrode seals
- IEC 62561-6 : Requirements for lightning strike counters
- IEC 62561-7 : Requirements for earth enhancing compounds

General information about lightning

> Regulations >

- EN 62305 : Protection against lightning :

This series of standards is divided into 4 volumes and first explains the general principles of lightning, then a gives a method for the evaluation of risks. The third volume describes the rules for the installation of lightning protection systems protecting people and buildings; the final volume proposes protection measures to reduce the risks of network and communication failure:

- IEC/EN 62305-1 : General principles
- IEC/EN 62305-2 : Risk evaluation
- IEC/EN 62305-3 : Physical damage to structures and life hazard
- IEC/EN 62305-4 : Electrical and electronic systems within structures

- FDC 17-108 : Simplified Lightning Risk Analysis :

This document is a guide offering a simplified method to analyse lightning risks. The method is inspired from the full lightning risk analysis described in **EN 62305-2**. The method is described as being simplified because it only contains a limited number of parameters compared to the full method. It is therefore only applicable for structures where:

- No explosive product or atmosphere is present
- No danger for the environment is present
- Fire risk is low or ordinary
- Fire risk is high but risk of panic is low

- UTE C 15-712 : Photovoltaic Installations :

This document is a guide describing the rules for installing photovoltaic generators connected to the low voltage public distribution network and not designed to work autonomously.

It also gives the rules for the installation of AC and DC surge protector devices providing protection for overcurrents and overvoltages.

- UTE C 15-443 : Protection of low voltage electrical installations against overvoltages of atmospheric origin or due to manoeuvres. Choice and installation of surge protector devices.

This practical guide indicates conditions relative to the choice and the implementation of surge protector devices in low voltage installations. It details and completes articles **443** and **534.1** of standard **NF C 15-100**.

General information about lightning

> Notes >

General information about lightning

> Notes >

General information about lightning



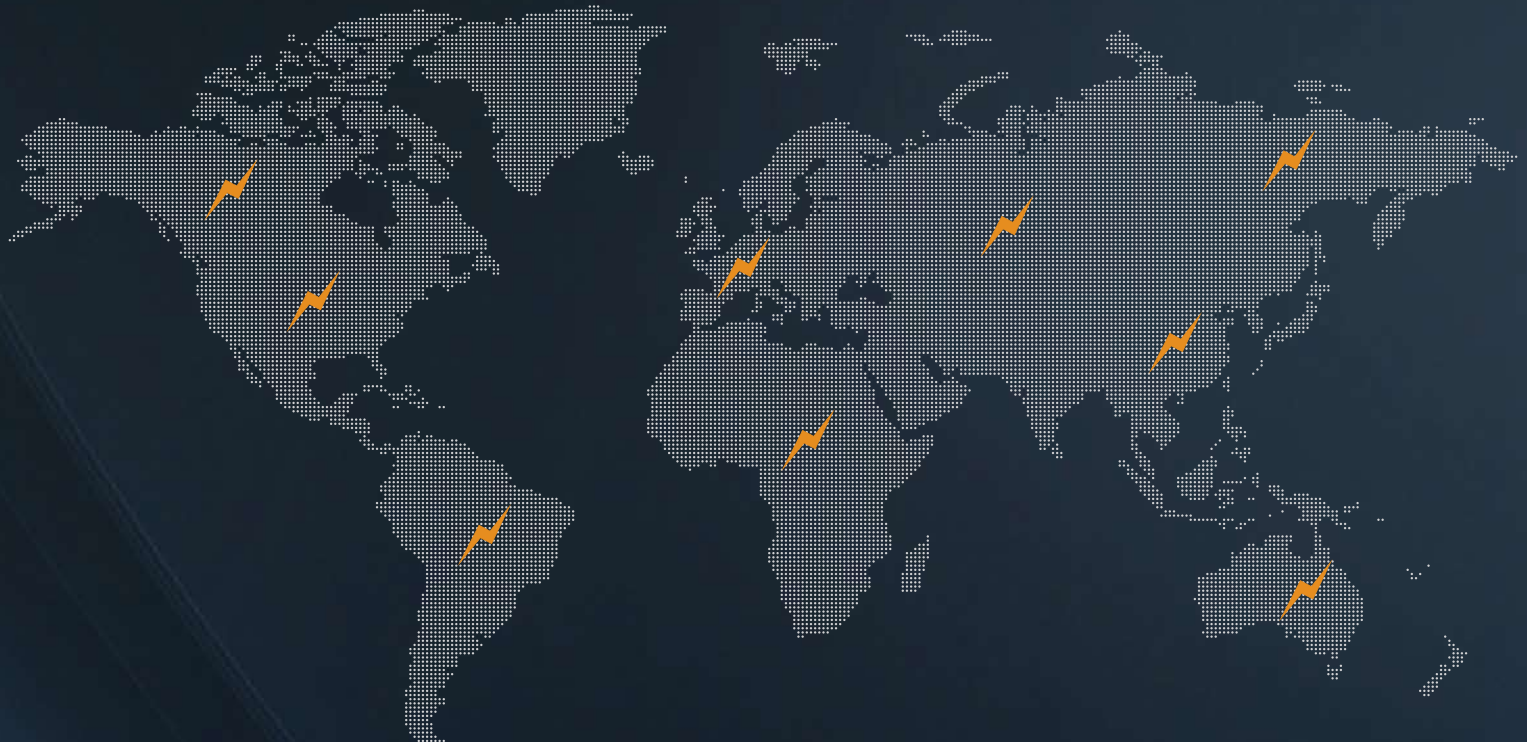
Non-contractual catalogue and pictures

2018 - FRANCE PARATONNERRES

All production, translation and adaptation rights are reserved

FRANCE PARATONNERRES, A WORLD-WIDE COMPANY

40 YEARS OF EXPERIENCE WITH PRESTIGIOUS REFERENCES



CONTACT US

Parc Ester Technopole
9, rue Columbia
87068 LIMOGES
FRANCE
T. +33 (0) 555 575 253
F. +33 (0) 555 358 562

contact@france-paratonnerres.com
www.france-paratonnerres.com
www.ioniflash.com



GEOGRAPHIC LOCATION



France Paratonnerres is located in Limoges (87) at 1 hour from Paris by plane and 3 hours from Paris by train