

Our products / Protection against direct effects of lightning

> Equipotentiality connection >

■ Shunt and braid

Equipotentiality connections between the Air terminal conductor and nearby metallic parts or between various metal elements.

• 13005/13009

Ref	Material	dimensions	Packaging	Weight
13005	Tinplated copper	30 x 3,5 mm	Per meter	0,47 kg
13009	Tinplated copper	30 x 3,5 mm	Shunt (50cm)	0,26 kg

Ref. 13005/13009



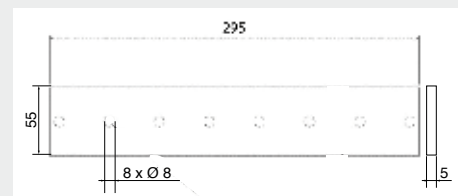
■ Equipotentiality bars

Earthing interconnections.
Allows disconnection for separate earthing measurements.

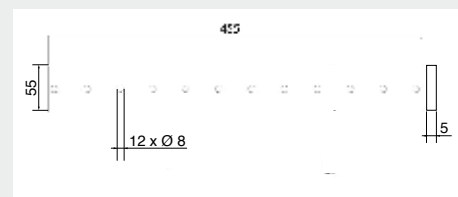
• 16143/16144



Ref. 16143



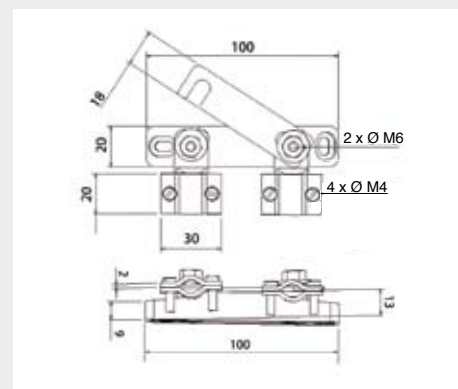
Ref. 16144



• 80020



Ref. 80020



Ref	Designation	Material	Length	Weight
16143	Equipotentiality 6 holes	Copper	295 mm	800 g
16144	Equipotentiality 10 holes	Copper	455 mm	1,2 kg
80020	Earth cut	Copper / plastic	100 mm	120 g