

Our products / Protection against direct effects of lightning

> Earthing system >

■ Rod connection collar

- 16124/16125

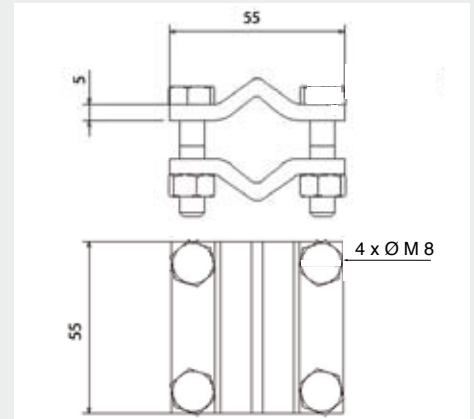


Ref. 16124

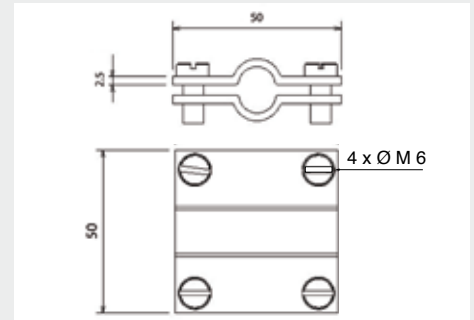


Ref. 16125

Ref. 16124



Ref. 16125

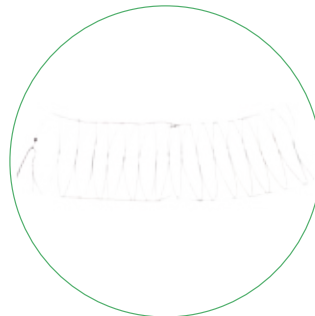
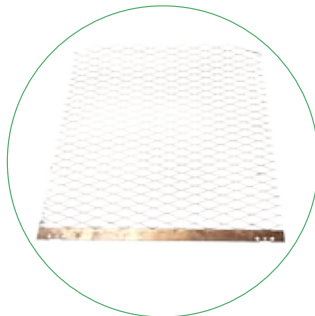


Ref	Designation	Material	Dimensions	To use with	Weight
16124	Plate collar	Copper	55 x 55 mm	Plate conductor	350 g
16125	Plate collar 2	Copper	50 x 50 mm	Plate conductor	140 g

■ Earthing mesh

Copper earthing mesh enabling better distribution of lightning current.

- 16150/16151



Ref. 16150/16151

Ref	Designation	Material	dimensions	Weight
16150	Square	Copper	1 x 1 m	4 kg
16151	Expanded	Copper	1,4 x 0,45 m	1,5 kg