

## Our products / Protection against direct effects of lightning

### > Earthing system >

#### ■ Inspection joint

Disconnection between the down-conductor and the earth to check the resistance of earthing.

##### • 16001



Ref	Designation	Material	Dimensions	Weight
16001	Inspection joint	Tinplated brass	55 x 70 mm	320 g

#### ■ Protection sheath

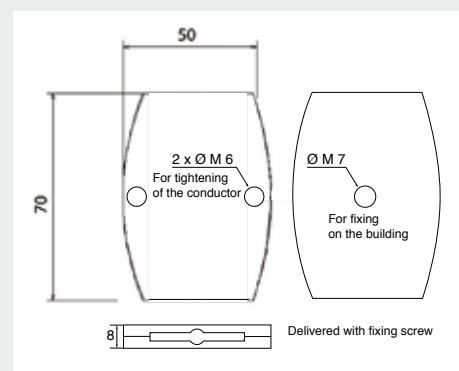
Mechanical protection of flat or round conductors for down-conductors  
Supplied with 3 fixation collars in stainless steel

##### • 16003/16007



Ref	Designation	Material	Length	Weight
16003	304L Sheath	S/s 304L	2 m	840 g
16007	316L sheath	S/s 316L	2 m	840 g

##### Ref. 16001



##### Ref. 16003/16007

