

## Our products / Protection against direct effects of lightning

### > Conductors interconnection >

#### ■ Connecting collar

Collar connection to fix strip or round sections to the air terminal support (pole or mast).

#### • 15301/15305/15305



Ref. 15301



Ref. 15303



Ref. 15305

Ref	Designation	Material	Dimensions
15301	Connection collar	Tinplated copper	58 x 55 mm
15303	Connection collar	Copper	58 x 55 mm
15305	Connection collar	Stainless Steel	58 x 55 mm

#### • 15302/15306



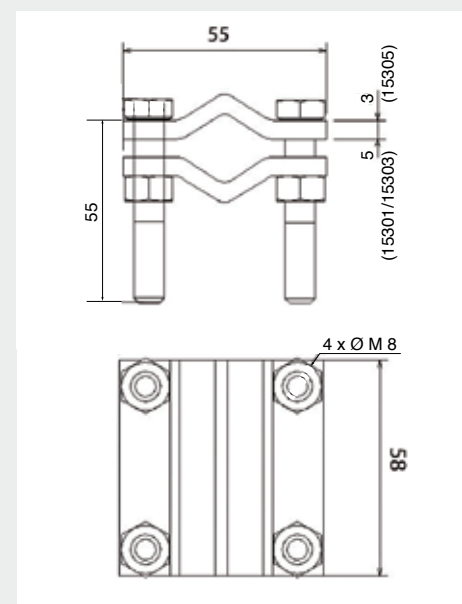
Ref. 15302



Ref. 15306

Ref	Designation	Material	Dimensions
15302	Connection collar	Tinplated copper	73 x 55 mm
15306	Connection collar	Stainless Steel	73 x 55 mm

Ref. 15301/15303/15305



Ref. 15302/15306

