

Our products / Protection against direct effects of lightning

> Conductors interconnection >

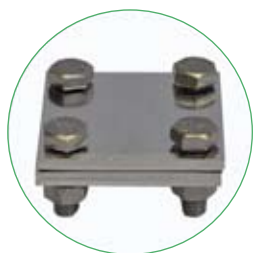
■ Join

Connection Flat/Flat :
to assemble two flat conductors.

Connection Flat/Round :
to assemble a flat conductor to a round conductor.

Connection Round/Round :
to assemble two round conductors

• 15101/15102/15103/15104/15108/15109



Ref. 15101



Ref. 15102



Ref. 15103



Ref. 15104

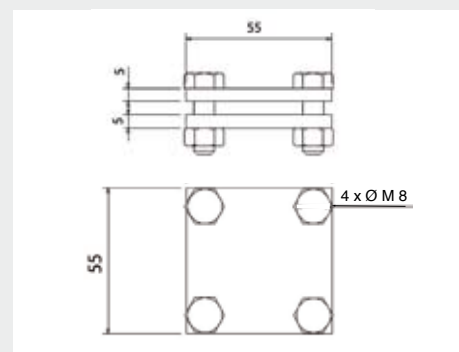


Ref. 15108

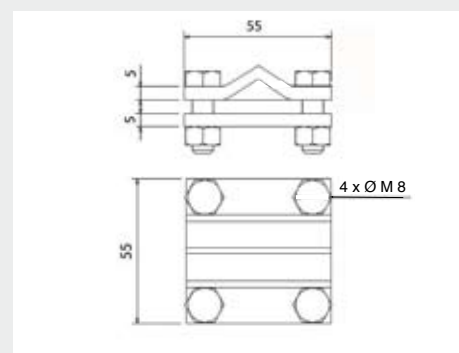


Ref. 15109

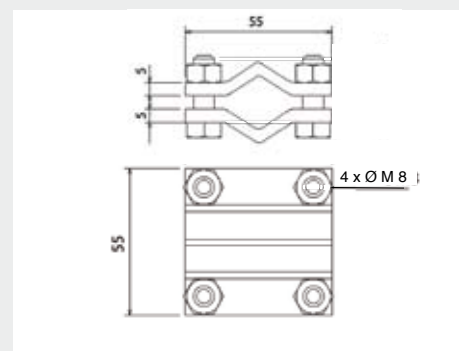
Ref. 15101/15102



Ref. 15103/15104



Ref. 15108/15109



Ref	Designation	Material	Dimensions	Weight
15101	Plate / Plate	Tinplated copper	55 x 55 mm	330 g
15102	Plate / Plate	Copper	55 x 55 mm	330 g
15103	Plate / round	Tinplated copper	55 x 55 mm	330 g
15104	Plate / round	Copper	55 x 55 mm	330 g
15108	Round / round	Copper	55 x 55 mm	330 g
15109	Round / Round	Tinplated copper	55 x 55 mm	330 g