

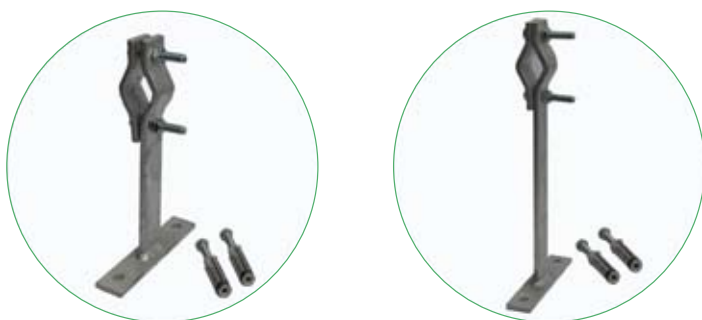
## Our products / Protection against direct effects of lightning

### > Brackets and fixings >

#### ■ Bolting brackets

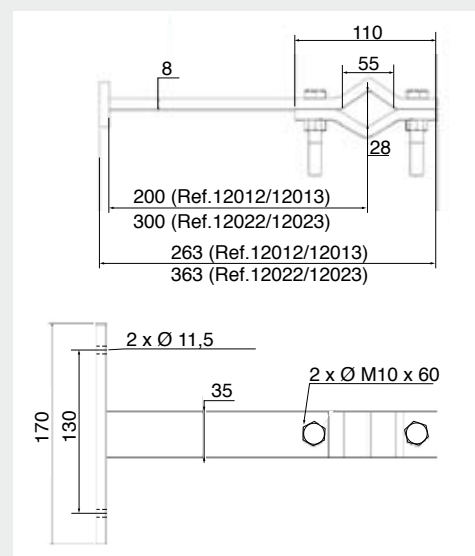
For fixing air terminals on masonry.

##### • 12012/12013/12022/12023



Ref	Material	Profil shift	Height of support	Packaging	Weight
12012	Galvanized Steel	200 mm	< 4 m	2	2,58 kg
12013	Galvanized Steel	200 mm	< 8 m	3	3,88 kg
12022	Galvanized Steel	300 mm	< 4 m	2	5 kg
12023	Galvanized Steel	300 mm	< 8 m	3	7,5 kg

Ref. 12012/12013/12022/12023



#### ■ Extended fixing brackets

For fixing air terminals on round elements or on a surface which cannot be drilled.

##### • 12014/12015/12020/12021



Ref	Material	Profil shift	Height of support	Packaging	Weight
12014	Galvanized Steel	150 mm	< 4 m	2	2,50 kg
12015	Galvanized Steel	150 mm	< 8 m	3	3,75 kg
12020	Galvanized Steel	240 mm	< 4 m	2	3 kg
12021	Galvanized Steel	240 mm	< 8 m	3	4,5 kg

Ref. 12014/12015/12020/12021

