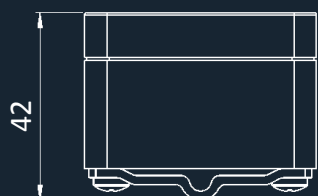
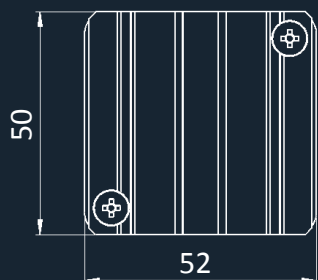


TECHNICAL DATASHEET

CHARACTERISTICS

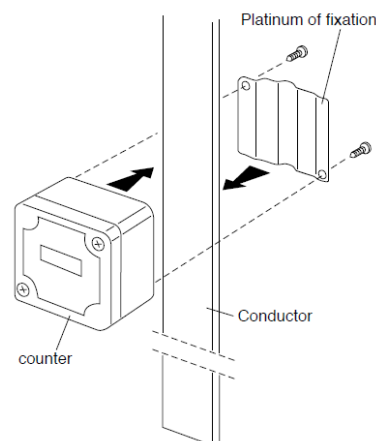


Reference	30 002
Description	IONICOUNT®
Technology	Electromechanical
Function mode	The fields generated by lightning current activates the electromechanical counter
Detection range	1 kA – 100 kA
Registering	Until 999 999 events
Tested in the factory	Counter delivered with display : 000001
Power supply	Totally autonomous. Does not need any power supply
Protection Index	IP66
Operating temperatures	-25°C to +70°C
Dimensions	52 x 50 x 30 mm
Weight	200 g

INSTALLATION

Parallel fastening	Without conductor disconnection
Connection	Directly on the down conductor (round: Ø 8 to 10 mm, plate: 30 x 2 mm or 30 x 3 mm)
Size	Discrete installation on the down conductor
Solidity and reliability	High resistance to extreme climatic conditions (rain, sun, freezing...)

Assembly principle
(Quick and easy)



CERTIFICATIONS AND STANDARDS

NF EN 62 561-6	Lightning protection system components (LPSC) - - Part. 6: Requirements for lightning strike counters (LSC)
Tested in COFRAC laboratory	Waranted until 100kA, on negative or positive strikes

Qualifoudre
INERIS



CONFORM TO
NF EN 62 561-6